



CYCLOPS
LIGHTING

RoS MIRAGE

DATASHEET





The **RoS (Rain or Shine) MIRAGE** is a high-performance 800W LED profile fixture engineered for professional applications. As a key fixture in the RoS series, it is built with an **IP65 housing** to withstand the most demanding environments, combining the functionality of a beam, spot and wash light into a single fixture. This versatility is complemented by a precise four-blade motorized framing system for complete control over the beam shape and a **graphic animation wheel, with continuous rotation in both directions** that can be used alone or in combination with gobos to create stunning water wave effects. An indispensable tool for a wide range of creative outdoor and large venue lighting designs.

SOURCE

Light Source	• 800W LED engine
Total Output	• 52,500 lumens
Color Temperature	• 7,000K
Life Expectancy	• 20,000 hours

OPTICAL SYSTEM

Frontal Lens	• 145 mm (diameter)
Zoom Range	• 4.5° to 50°
Iris	• 15% to 100%

FRAMING SYSTEM

Shutter Blades	• 4 individually positionable shutter blades on a 100% surface area in all positions
Rotation	• +/- 90°

DYNAMIC EFFECTS

CMY Mixing	• Linear CMY color mixing
CTO Correction	• Linear CTO (2,700K - 7,000K)
Color Wheel	• 5 colors + CRI filter
CRI Mode (Standard)	• Ra >70
CRI Mode (HCRI)	• Ra ≥90
Static Gobo Wheel	• 8 gobos (Gobo Φ15mm, Image: Φ13mm)
Rotating Gobo Wheel	• 7 gobos, plus open
Prism	• 2 Combinable Rotating and Indexable (4-facet and 4-circular, rotatable in both directions)
Filter	• 1 medium frost filter
	• Animation wheel

CONTROL & PROGRAMMING

Control Channels	• 42, 32S, 32F, 23 CHs
Display	• LCD display (4 touch button control panel)
Protocols	• DMX512, RDM, Art-Net, sACN

MOVEMENT

Pan	• 540°
Tilt	• 260°
Resolution	• 8/16 bit
Positional Feedback	• Automatic correction system

ELECTRICAL

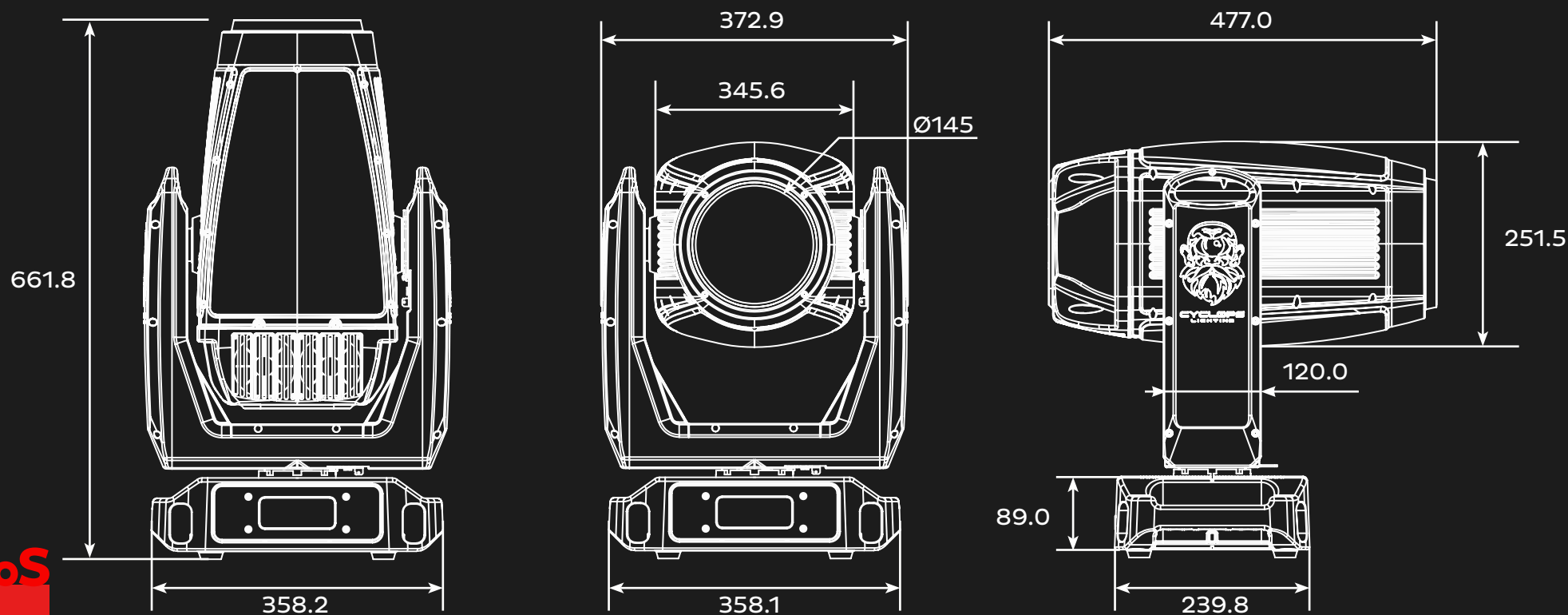
Input Voltage	• 100-240V / 50-60Hz
Power Consumption	• 910W

CONNECTIONS

Power Connections	• IP65 power connector In/Out
DMX Connections	• IP65 3-pin and 5-pin XLR In/Out
Network Connections	• IP65 RJ45 Ethernet connector In/Out

PHYSICAL

Dimensions	• 358.2 x 239.8 x 658mm
Net Weight	• 29kg
Operating Temperature	• 0 / 40 °C
IP Rated	• IP65





CYCLOPS
LIGHTING

www.cyclopslighting.com