



CYCLOPS
LIGHTING

RoS SIREN

DATASHEET





The **RoS (Rain or Shine) SIREN** is a high-performance, IP65-rated strobe fixture. It features both a panel and tube strobe in one unit for maximum creative flexibility. The panel is equipped with **864x1.6W RGBW 4-in-1 LEDs**, arranged in 24 individually controllable segments (3 x 8). The strobe tube features **576x1W CW (cool white) LEDs**, arranged in 96 individually controllable segments (24 x 4). Control is facilitated via DMX, Art-Net, and sACN (up to 92 channels), enabling precise effect programming for diverse indoor and outdoor applications.

SOURCE

Strobe Panel LEDs	• 864 x 1.6W RGBWW LEDs (24 segments: 3 x 8)
Strobe Tube LEDs	• 576x1W CW LEDs (96 segments: 24 x 4)
Selectable PWM	• 400HZ, 1200HZ, 2000HZ, 4000HZ, 6000HZ, 8000HZ, 16000HZ, 20000HZ

DYNAMIC EFFECTS

Dimmer	• 16-bit dimming
Internal Effects	• Preset CTO, LED macro effects
Strobe	• Electronic strobe

CONTROL & PROGRAMMING

Control Channels	• 18, 33, 56, 76, 92, 112, 114, 138, 208 CHs
Display	• LCD display (4 touch button control panel)
Protocols	• DMX, RDM, ArtNet, sACN
Cooling	• Temperature controlled, overheating protection
Fan	• Cooling noiseless fan for forced air

MOVEMENT

Tilt	• 180°
Positional Feedback	• Automatic correction system

ELECTRICAL

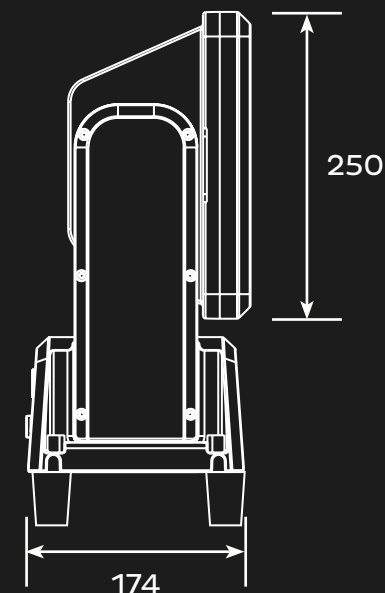
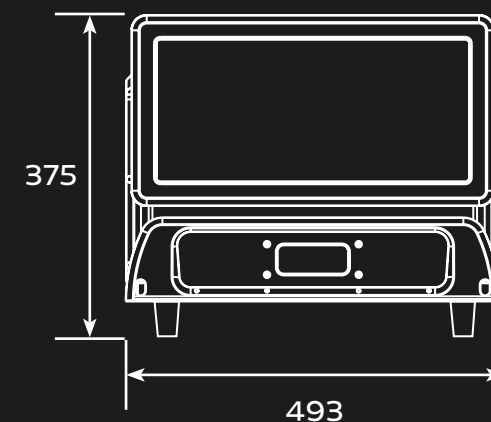
Input Voltage	• 100-240V AC / 50-60Hz
Power Consumption	• 1200W / 230V (Dynamic) • 1800W / 230V (Peak @ strobe)

CONNECTIONS

Power Connections	• IP65 power connector In/Out
DMX Connections	• IP65 3-pin and 5-pin XLR In/Out
Network Connections	• IP65 RJ45 Ethernet connector In/Out

PHYSICAL

Dimensions	• 493 x 175 x 400mm
Net Weight	• 18kg
Gross Weight	• 20kg
Operating Temperature	• -20 / 45°C
IP Rating	• IP65





CYCLOPS
LIGHTING

www.cyclopslighting.com