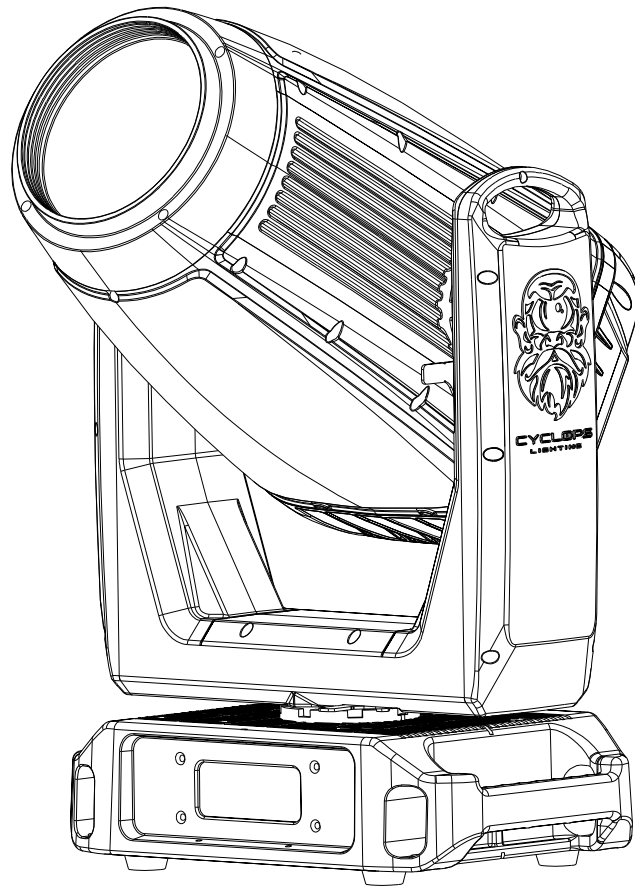


MIRAGE

RoS Rain or Shine



USER MANUAL



PRODUCT
DOCUMENTATION



DMX
CHART

www.cyclopslighting.com

CONTENTS

1. Safety Instructions.....	1
2. Technical Specifications.....	2
3. Optical & Effects Reference.....	3
4. Dimensions and Photometrics.....	4
5. Device Overview.....	5
6. Installation.....	6
7. Maintenance.....	8
8. Control Menu.....	9
9. DMX Charts.....	10

1.Safety Instructions



WARNING

Please keep this User Manual for future consultation. If you sell the unit to another user, be sure that they also receive this instruction manual.

Important:

Damages caused by the disregard of this user manual are not subject to warranty. The dealer will not accept liability for any resulting defects or problems.

- Unpack and check carefully to ensure that there is no transportation damage before using the unit.
- DO install and operate by qualified operator.
- DO NOT allow children to operate the fixture.
- Use safety chain when fixing the unit. Handle the unit by carrying its base instead of head only.
- The unit must be installed in a location with adequate ventilation, at least 50CM from adjacent surfaces.
- Be sure that no ventilation slots is blocked, otherwise the unit will be overheated.
- Before operation, ensure that you are connecting this product to the proper voltage in accordance with the specifications in this manual or on the product's specification label.
- It's important to ground the yellow/green conductor to earth in order to avoid electric shock.
- Minimum ambient temperature TA: 0°C. Maximum ambient temperature TA: 40°C.Do not operate this product at a lower or higher temperature.
- DO NOT connect the device to any dimmer pack.
- Keep flammable materials away from the fixture while operating to avoid fire hazard.
- Make sure the power cord is not crimped or damaged; replace it immediately if damaged.
- Unit's surface temperature may reach up to 65°C. DO NOT touch the housing bare-handed during its operation.
- Avoid any flammable liquids, water or metal from entering the unit. Once it happens, cut off the mains power immediately.
- DO NOT operate in a dirty or dusty environment. DO clean the fixture regularly.
- DO NOT touch any wire during operation as there might be a hazard of electric shock.
- Avoid entanglement of the power cord with other wires.
- The minimum distance to objects/surface must be more than 5 meters.
- Disconnect mains power before fuse replacement or servicing.
- Replace fuse only with the same type.
- In the event of serious operating problem, stop using the unit immediately.
- Never turn on and off the unit time after time.
- The housing, the lenses, or the ultraviolet filter must be replaced if they are visibly damaged.
- DO NOT open the housing as there are no user serviceable parts inside.
- DO NOT attempt to operate this unit if it becomes damaged. DO NOT attempt any repairs yourself. Repairs carried out by unskilled people can lead to damage or malfunction. Please contact the nearest authorized technical assistance center if needed.
- Disconnect this product from its power source before servicing.
- DO use the original packaging if the device is to be transported.
- Check that the head tilt lock is released before packing for transportation.
- Avoid direct eye exposure to the light source while the product is on.
- DO NOT operate this product if you see damage on the housing, shields, or cables. Have the damaged parts replaced by an authorized technician at once.

2. Technical Specifications

SOURCE

Light Source: 800W LED Engine
Total Output: 52,500 lumens
Color Temperature: 7,000K
Life Expectancy: 20,000 hours

OPTICAL SYSTEM

Frontal Lens: 145 mm (diameter)
Zoom Range: 4.5° to 50°
Iris: 15% to 100%

FRAMING SYSTEM

Shutter Blades: 4 individually positionable shutter blades on a 100% surface area in all positions
Rotation: +/- 90°

DYNAMIC EFFECTS

CMY Mixing: Linear CMY color mixing
CTO Correction: Linear CTO (2,700K - 7,000K)
Color Wheel: 5 colors + CRI filter
CRI Mode (Standard): Ra >70
CRI Mode (HCRI): Ra ≥90
Static Gobo Wheel: 8 gobos (Gobo Φ 15mm, Image: Φ 13mm)
Rotating Gobo Wheel: 7 gobos, plus open
Prism: 2 Combinable Rotating and Indexable (4-facet and 4-Circular, rotatable in both directions)
Filter: 1 medium frost filter, Animation Wheel

CONTROL & PROGRAMMING

Control channels: 42, 32S, 32F, 23 CHs
Display: LCD display (4 touch button control panel)
Protocols: DMX512, RDM, Art-Net, sACN

MOVEMENT

Pan: 540°
Tilt: 260°
Resolution: 8/16 bit
Positional Feedback: Automatic correction system

ELECTRICAL

Input Voltage: 100-240V / 50-60Hz
Power Consumption: 910W

CONNECTIONS

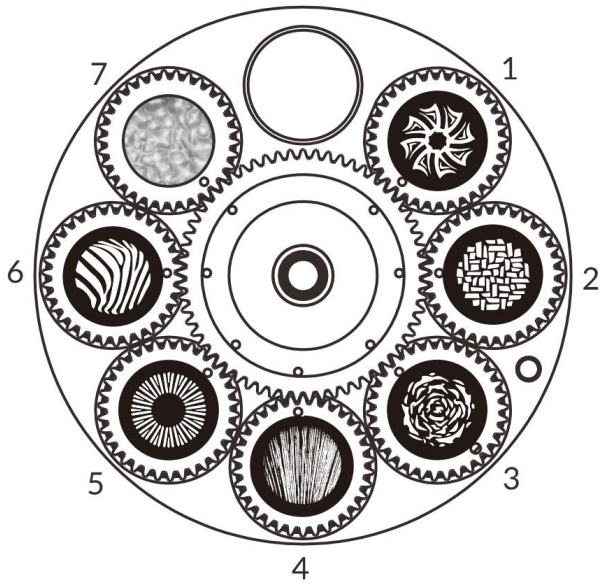
Power connections: IP65 power connector In/Out
DMX connections: IP65 3-pin and 5-pin XLR In/out
Network Connections: IP65 RJ45 Ethernet connector In/out

PHYSICAL

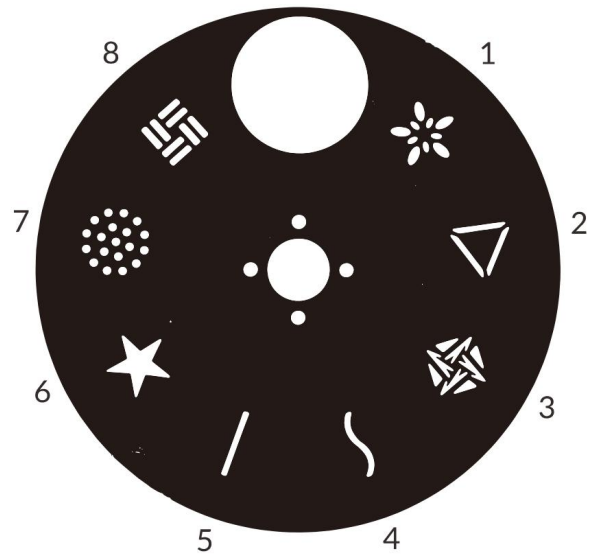
Dimensions: 358.2 x 239.8 x 658mm
Net weight: 29kg
Operating temperature: 0 - 40°C
IP Rated: IP65

3. Optical & Effects Reference

Rotating Gobos



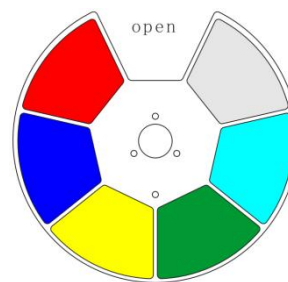
Fixed Gobos



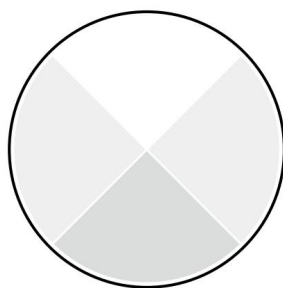
Effects Wheels



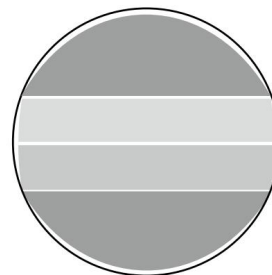
Color Wheels



Prism System



4 facet Prism



4-Row Mirrors

CMY Flags



CTO



Yellow

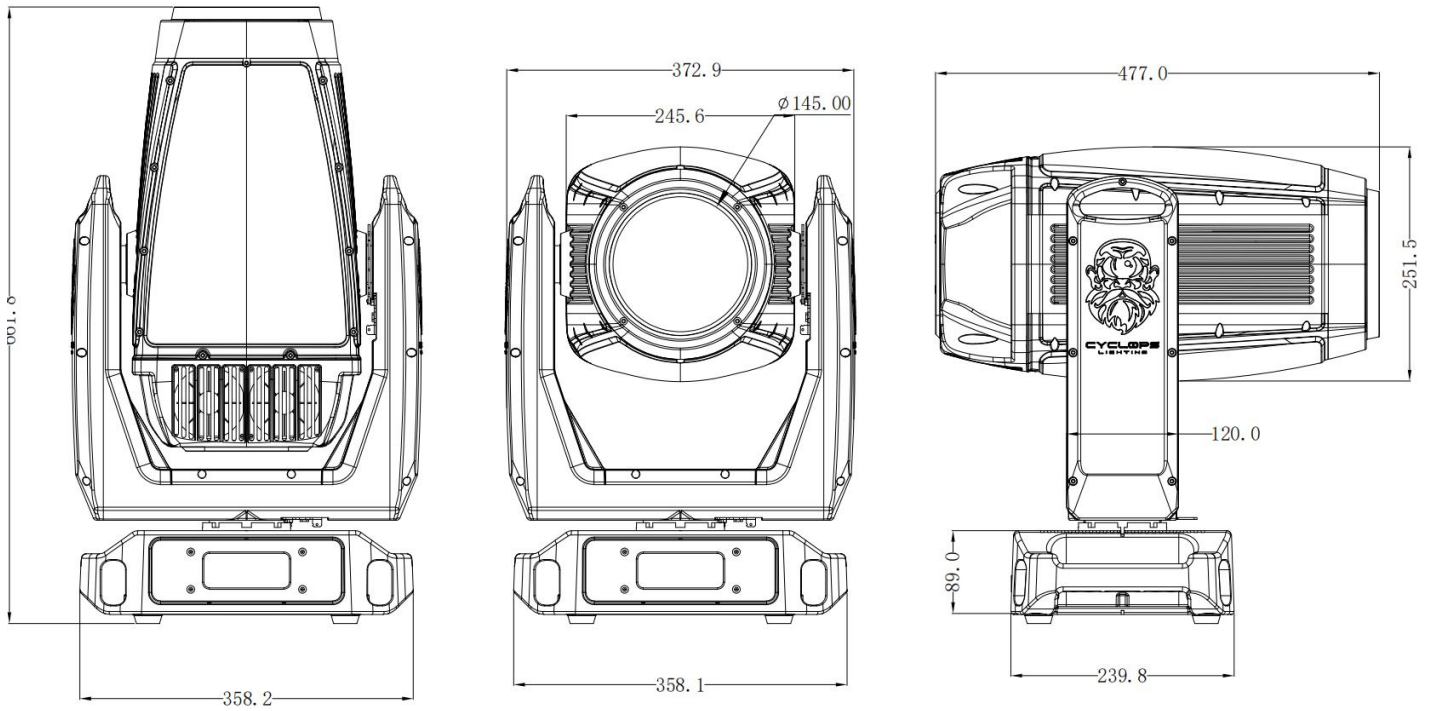


Cyan



Magenta

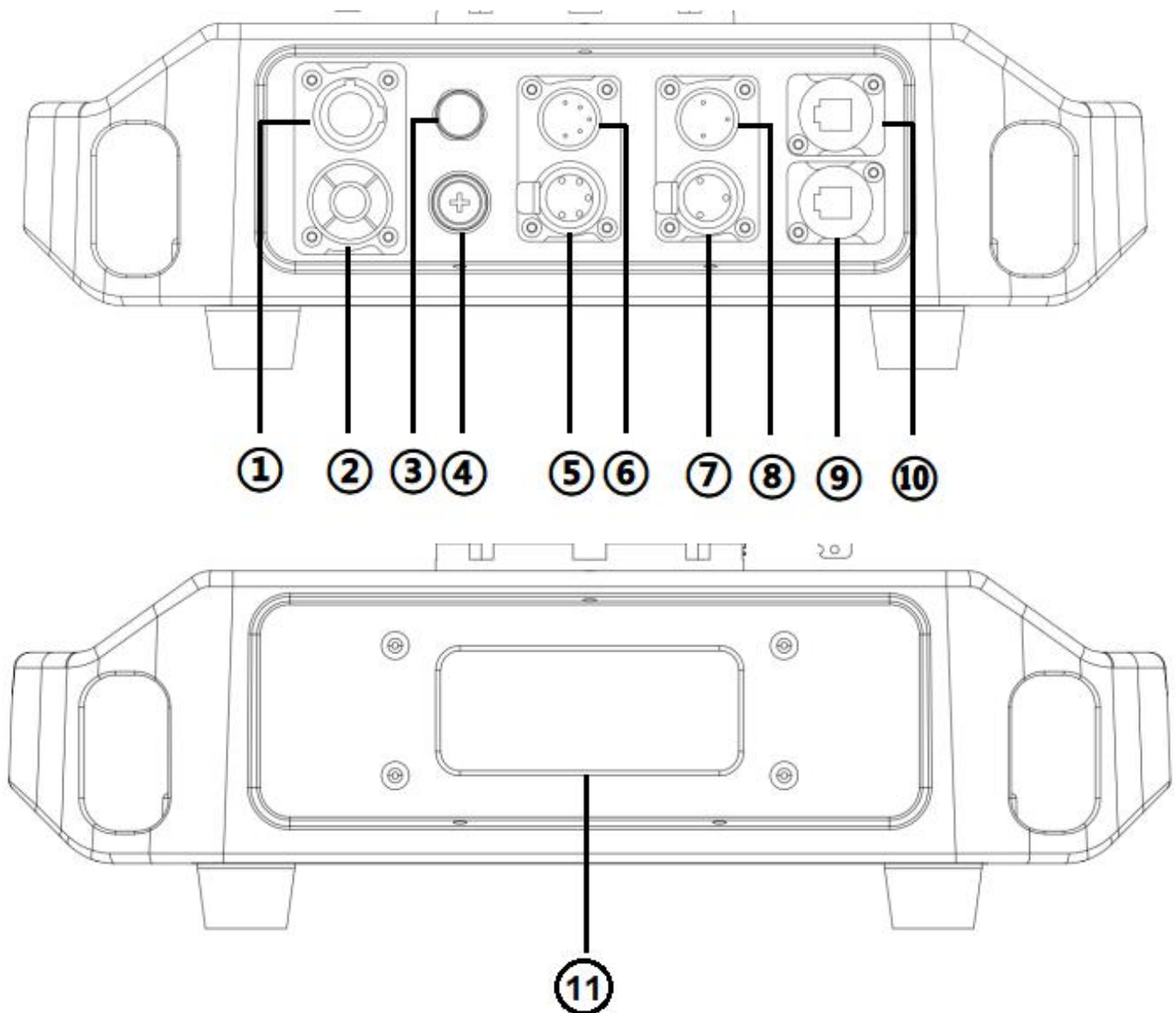
4. Dimensions and Photometrics



600BSWF Small Angle				
Lux	121000	46100	18900	13200
<p style="text-align: center;">4.5°</p>				
Distance	5m	8m	10m	15m
Diameter	0.40m	0.64m	0.83m	1.25m

600BSWF Big Angle				
Lux	2250	804	504	266
<p style="text-align: center;">50°</p>				
Distance	5m	8m	10m	15m
Diameter	4.53m	7.35m	9.10m	13.5m

5. Device Overview

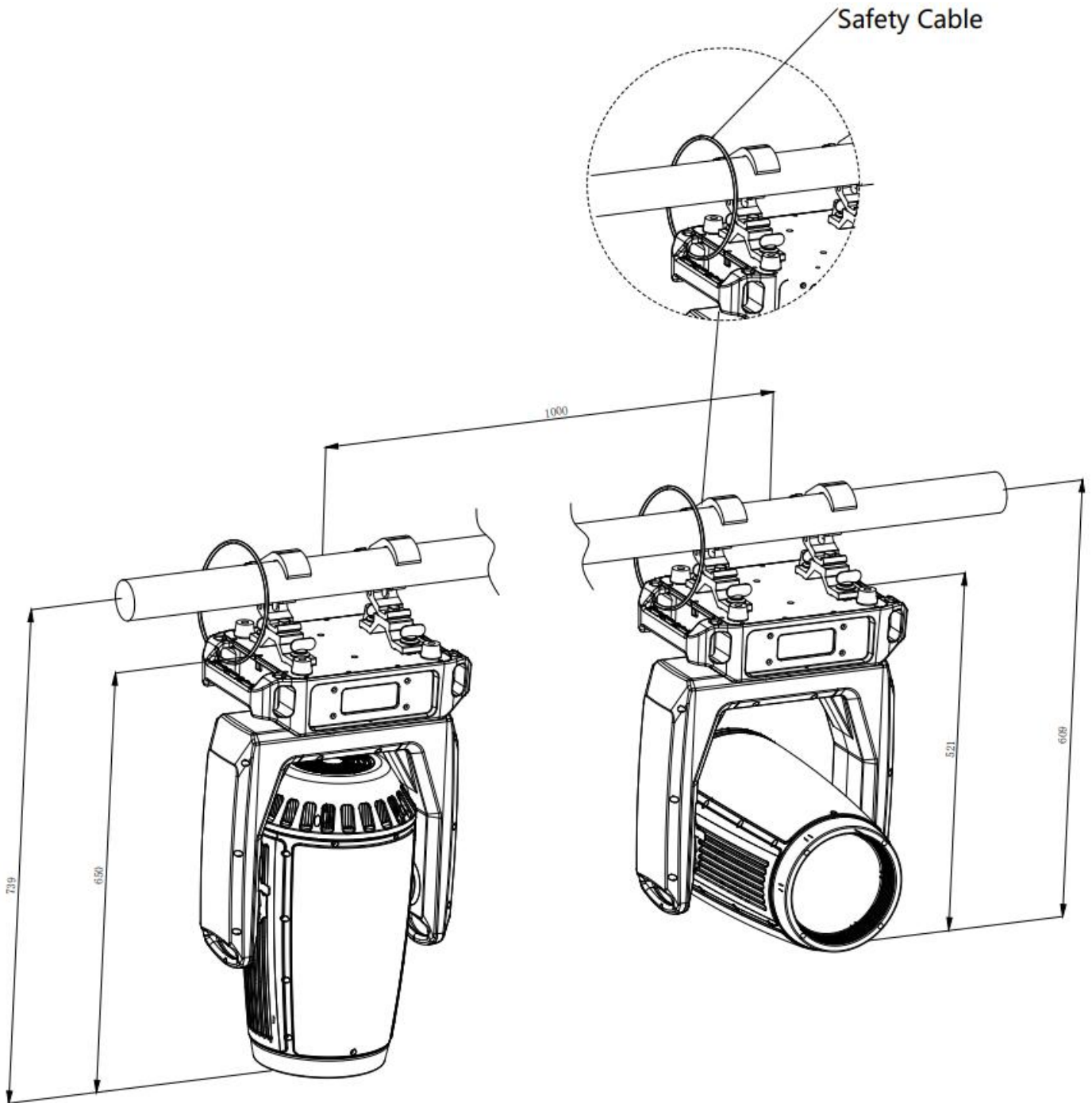


- (1) Seetronic Power In
- (2) Seetronic Power Out
- (3) Valve
- (4) Fuse
- (5) 5 Pin DMX Out
- (6) 5 Pin DMX In
- (7) 3 Pin DMX Out
- (8) 3 Pin DMX In
- (9) Ethernet Out
- (10) Ethernet In
- (11) Display

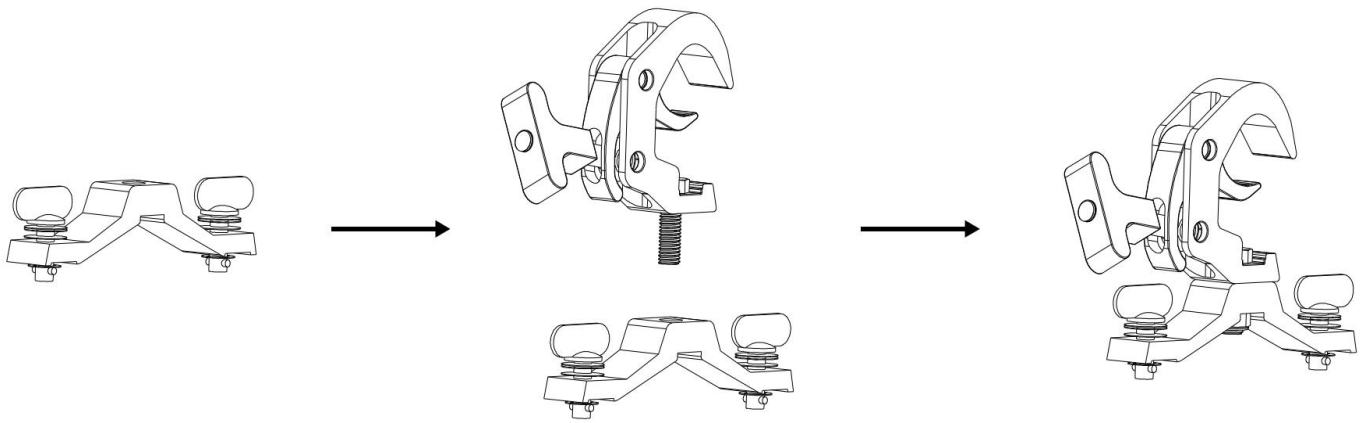
6.Installation

- DO install and operate by qualified operator. Fixture(s) should be installed in areas outside walking paths, seating areas, or away from areas where unauthorized personnel might reach the fixture by hand. NEVER stand directly below the fixture(s) when rigging, removing or servicing.

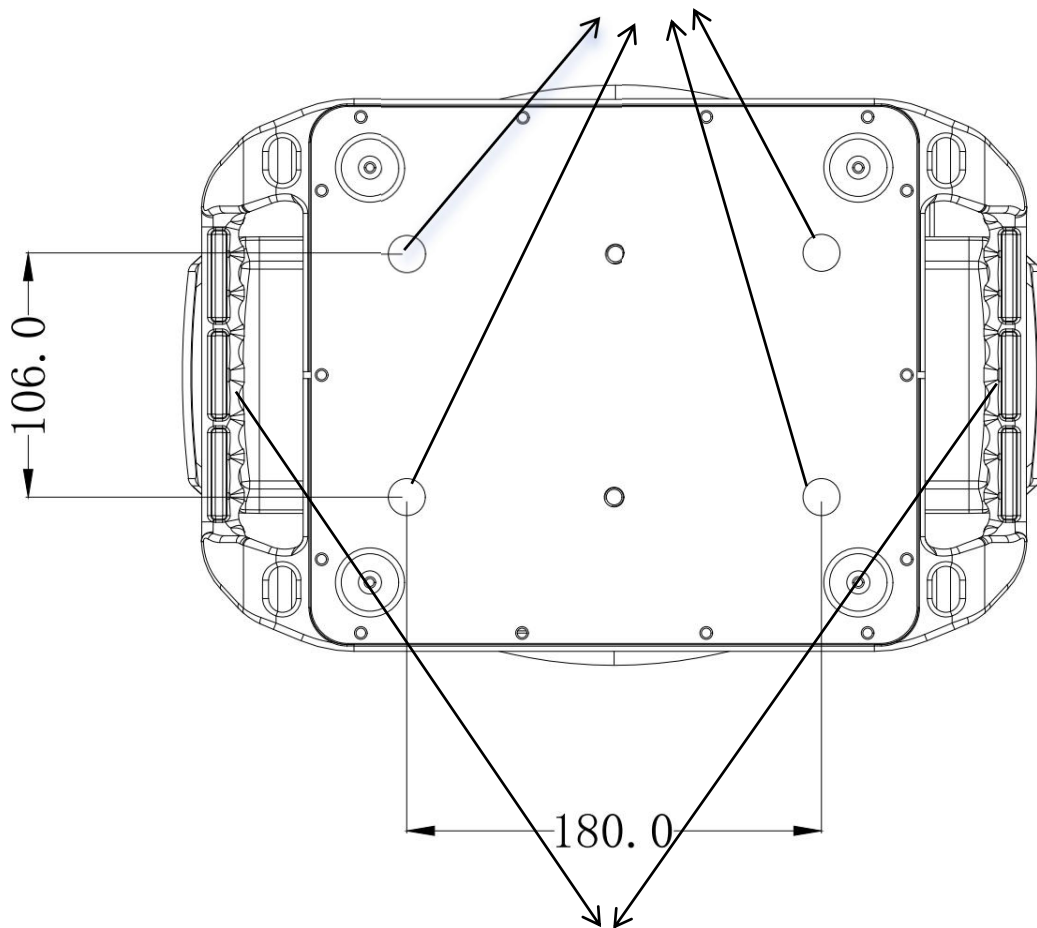
- Always ensure that the unit is firmly fixed to avoid vibration and slipping off during operation. Ensure that the trussing or area of installation must be able to hold 10 times the weight without any deformation. Always attach a safety cable that can hold at least 12 times the weight of the fixture whenever installing this fixture in a suspended environment to ensure that the fixture will not fall if the clamp fails.



6.Installation



Omega Bracket Attachment Points



Safety Cable Attachment Points

7.Maintenance

Regular cleaning is very important for fixture life and performance. Buildup of dust, dirt, smoke particles, fog fluid residues, etc. degrades the fixture's light output and cooling ability. Cleaning schedules for lighting fixtures vary greatly depending on the operating environment. It is therefore impossible to specify precise cleaning intervals for the fixture. Environmental factors that may result in a need for frequent cleaning include:

- ▲Use of smoke or fog machines.
- ▲High airflow rates (near air conditioning vents, for example).
- ▲Airborne dust (from stage effects, building structures and fittings or the natural environment at outdoor events, for example).

If one or more of these factors is present, inspect fixtures within their first few hours of operation to see whether cleaning is necessary. Check again at frequent intervals. This procedure will allow you to assess cleaning requirements in your particular situation.

Follow these precautions when cleaning the fixture:

- ▲Work in a clean, dry, well-lit area.
 - ▲Use gentle pressure only. A soft lint-free cloth dampened with a solution of water and a mild detergent is recommended, under no circumstances should alcohol, solvents or abrasives be used!
- Use care when cleaning optical components: surfaces are fragile and easily scratched.

8.Control Menu

Address	001-512			
Channel Mode	23CH			
	32S CH			
	32F CH			
	42 CH			
Setting	Control Mode	DMX		
		ArtNet		
		sACN		
		Auto Test		
	ArtNet to 512	No/Yes		
	Status Setting	Signal Keep	No/Yes	
		Invert Pan	No/Yes	
		Invert Tilt	No/Yes	
		Move Light	No/Yes	
		Pan&Tilt	No/Yes	
		Power Set	High/Low power	
	Dimmer Curve	Linear		
		Square		
		I-Square		
		S-Shape		
	Dimmer Speed	Fast		
		Smooth		
	Dimmer Frequency	400Hz / 1200Hz / 2000Hz / 4000Hz 6000Hz / 8000Hz / 16KHz / 24KHz	8000Hz as default	
	Fan Mode	Auto		
		Silent		
Full				
Ultra Silent				
Display Setting	Screen Backlight	On/10s/30s/1min		
	Invert Screen	Off/On		
	Screen Lock	No/Yes		
	Language	Chinese/English		
Calibration	Pan	001-255		
	Tilt	001-255		
	...			
	Focus Rot 1~7	001-255		
Load Default	No/Yes			
Network	Network	Ethernet	IP:002.000.000.001 MS:255.000.000.000	
		OK		
	Universe	Net(0-127):000		
		Sub-Uni:000		
Manual	Pan	0-255		
	Pan Fine	0-255		
	Tilt	0-255		
	Tilt Fine	0-255		
	P-T Speed	0-255		
	Cyan	0-255		
	Magenta	0-255		
	Yellow	0-255		
		
Marco	0-255			
Reset	Reset Effect			
	Reset Scan			
	Reset All			

9.DMX Charts

23 Channel Mode

CH	FUNCTION	VALUE	Description
1	Pan	0-255	0° → 540°
2	Pan Fine	0-255	16 Bit Adjustable
3	Tilt	0-255	0° → 270°
4	Tilt Fine	0-255	16 Bit Adjustable
5	PAN/TILT Speed	0-255	Fast to Slow
6	Cyan	0-255	0-100%
7	Magenta	0-255	0-100%
8	Yellow	0-255	0-100%
9	CTO	0-255	0-100%
10	CRI	0-127	CRI Filter Out
		128-255	CRI Filter In
11	Color Wheel	000 - 005	WHITE
		006 - 115	White light → Color 1.. Color 6 → White light Linear movement
		116 - 120	WHITE
		121 - 130	Color 1
		131 - 140	Color 2
		141 - 150	Color 3
		151 - 160	Color 4
		161 - 170	Color 5
		171 - 192	WHITE
		193 - 223	Color wheel reverses from fast to slow
		224 - 224	STOP
		225 - 255	The color wheel rotates from slow to fast
12	Color Wheel Fine	0-255	0-100%
13	Iris	000 - 225	Iris from large to small
		226 - 235	Iris slow open fast close from slow to fast
		236 - 245	Iris slow close fast open from slow to fast
		246 - 255	Iris slow close fast open from slow to fast
14	Iris Fine	0-255	0-100%
15	Frost 1	0-127	Frost 1 Off
		128-255	Frost 1 On
16	Zoom	0-255	From wide to narrow
17	Zoom Fine	0-255	0-100%
18	Focus	0-255	0-100%
19	Focus Fine	0-255	0-100%

20	Strobe	0-3	Close
		4-99	Synchronized Strobe
		100-149	Pulse Strobe
		150-199	Flash Strobe
		200-249	Random Strobe
		250-255	Open
21	Dimmer	0-255	0-100%
22	Dimmer Fine	0-255	0-100%
23	Macro	000 - 005	No function
		006 - 020	Horizontal reverse open
		021 - 025	Horizontal reverse close
		026 - 030	Vertical reverse open
		031 - 035	Vertical reverse close
		036 - 040	Mobile light blocking ON
		041 - 045	Mobile light blocking OFF
		046 - 050	No function
		051 - 055	Fan set to auto mode
		056 - 060	Fan set to high speed mode
		061 - 065	Fan set to high Silent mode
		066 - 070	Fan set to ultra-quiet mode
		071 - 075	Curve Linear
		076 - 080	Curve Square
		081 - 085	Curve Inv Square
		086 - 090	Curve S
		091 - 095	400Hz
		096 - 100	1200Hz
		101 - 105	2000Hz
		106 - 110	4000Hz
		111 - 115	6000Hz
		116 - 120	8000Hz
		121 - 125	16KHz
		126 - 130	24KHz
		131 - 135	Display backlight on
		136 - 140	Display backlight for 15 s
		141 - 145	Display backlight for 30 s
		146 - 150	Display backlight for 60 s
		151 - 155	Dimmer Speed Smooth
		156 - 160	Dimmer Speed Fast
161 - 165	Reset Pan/Tilt		
166 - 170	Reset Moving Head		
171 - 175	Reset All		
176 - 180	Signal Keep on		
181 - 185	Signal Keep off		
186 - 255	No function		

32S Channel Spot Mode

CH	FUNCTION	VALUE	Description
1	Pan	0-255	0° → 540°
2	Pan Fine	0-255	16 Bit Adjustable
3	Tilt	0-255	0° → 270°
4	Tilt Fine	0-255	16 Bit Adjustable
5	PAN/TILT Speed	0-255	Fast to Slow
6	Cyan	0-255	0-100%
7	Magenta	0-255	0-100%
8	Yellow	0-255	0-100%
9	CTO	0-255	0-100%
10	CRI	0-127	CRI Filter In
		128-255	CRI Filter Out
11	Color Wheel	000 - 005	WHITE
		006 - 115	White light → Color 1.. Color 6 → White light Linear movement
		116 - 120	WHITE
		121 - 130	Color 1
		131 - 140	Color 2
		141 - 150	Color 3
		151 - 160	Color 4
		161 - 170	Color 5
		171 - 192	WHITE
		193 - 223	Color wheel reverses from fast to slow
		224 - 224	STOP
225 - 255	The color wheel rotates from slow to fast		
12	Color Wheel Fine	0-255	0-100%
13	Gobo wheel	0-7	White light
		8-20	Gobo 1
		21-33	Gobo 2
		34-46	Gobo 3
		47-59	Gobo 4
		60-72	Gobo 5
		73-85	Gobo 6
		86-98	Gobo 7
		99-111	Gobo 1 shakes from slow to fast
		112-124	Gobo 2 shakes from slow to fast
		125-137	Gobo 3 shakes from slow to fast
		138-150	Gobo 4 shakes from slow to fast
		151-163	Gobo 5 shakes from slow to fast
		164-176	Gobo 6 shakes from slow to fast
		177-189	Gobo 7 shakes from slow to fast
190-221	Counterclockwise flow from fast to slow		
222-223	Stop water flow		
224-255	Clockwise flow from slow to fast		
14	Gobo wheel Rotate	0-127	Slide, 0-360°
		128-190	Counterclockwise rotation, from fast to slow
		191-192	STOP
		193-255	Rotate clockwise, from slow to fast
15	Gobo wheel Rotate Fine	0-255	0-100%

16	Pattern	0-5	White light
		6-16	Pattern 1
		17-27	Pattern 2
		28-38	Pattern 3
		39-49	Pattern 4
		50-60	Pattern 5
		61-71	Pattern 6
		72-82	Pattern 7
		83-93	Pattern 8
		94-105	Pattern 1 shakes from slow to fast
		106-117	Pattern 2 shakes from slow to fast
		118-129	Pattern 3 shakes from slow to fast
		130-141	Pattern 4 shakes from slow to fast
		142-153	Pattern 5 shakes from slow to fast
		154-165	Pattern 6 shakes from slow to fast
		166-177	Pattern 7 shakes from slow to fast
		178-189	Pattern 8 shakes from slow to fast
		190-221	Counterclockwise flow from fast to slow
		222-223	Stop water flow
		224-255	Clockwise flow from slow to fast
17	Pattern Effect	0-7	Open
		7-63	Slide, 0-360°
		64-126	Counterclockwise rotation, from fast to slow
		127-128	Stop
		129-191	Rotate clockwise, from slow to fast
		192-255	Effect pattern rotates back and forth, from slow to fast
18	IRIS	000 - 225	Iris from large to small
		226 - 235	Iris slow open fast close from slow to fast
		236 - 245	Iris slow close fast open from slow to fast
		246 - 255	Iris slow close fast open from slow to fast
19	Iris Fine Adjustment	0-255	0-100%
20	Prism 1	0-7	Prism 1 cut out
		8-255	Prism 1 cut in
21	Prism 1 Rotate	0-127	Slide, 0-360°
		128-189	Counterclockwise rotation, from fast to slow
		190-193	STOP
		194-255	Rotate clockwise, from slow to fast
22	Prism 2	0-7	Prism 2 cut out
		8-255	Prism 2 cut in
23	Prism 2 Rotate	0-127	Slide, 0-360°
		128-189	Counterclockwise rotation, from fast to slow
		190-193	STOP
		194-255	Rotate clockwise, from slow to fast
24	Frost 1	0-127	Frost 1 cut out
		128-255	Frost 1 cut in
25	Zoom	0-255	Wide to Narrow

26	Zoom Fine	0-255	0-100%
27	Focus	0-255	0-100%
28	Focus Fine	0-255	0-100%
29	Strobe	0-3	Close
		4-99	Synchronized Strobe
		100-149	Pulse Strobe
		150-199	Flash Strobe
		200-249	Random Strobe
		250-255	Open
30	Dimmer	0-255	0-100%
31	Dimmer Fine	0-255	0-100%
32	Macro	000 - 005	No function
		006 - 020	Horizontal reverse open
		021 - 025	Horizontal reverse close
		026 - 030	Vertical reverse open
		031 - 035	Vertical reverse close
		036 - 040	Mobile light blocking ON
		041 - 045	Mobile light blocking OFF
		046 - 050	No function
		051 - 055	Fan set to auto mode
		056 - 060	Fan set to high speed mode
		061 - 065	Fan set to high Silent mode
		066 - 070	Fan set to ultra-quiet mode
		071 - 075	Curve Linear
		076 - 080	Curve Square
		081 - 085	Curve Inv Square
		086 - 090	Curve S
		091 - 095	400Hz
		096 - 100	1200Hz
		101 - 105	2000Hz
		106 - 110	4000Hz
		111 - 115	6000Hz
		116 - 120	8000Hz
		121 - 125	16KHz
		126 - 130	24KHz
		131 - 135	Display backlight on
		136 - 140	Display backlight for 15 s
		141 - 145	Display backlight for 30 s
		146 - 150	Display backlight for 60 s
		151 - 155	Dimmer Speed Smooth
		156 - 160	Dimmer Speed Fast
		161 - 165	Reset Pan/Tilt
		166 - 170	Reset Moving Head
171 - 175	Reset All		
176 - 180	Signal Keep on		
181 - 185	Signal Keep off		
186 - 255	No function		

32F Channel F-Wash Mode

CH	FUNCTION	VALUE	Description
1	Pan	0-255	0° → 540°
2	Pan Fine	0-255	16 Bit Adjustable
3	Tilt	0-255	0° → 270°
4	Tilt Fine	0-255	16 Bit Adjustable
5	PAN/TILT Speed	0-255	Fast to Slow
6	Cyan	0-255	0-100%
7	Magenta	0-255	0-100%
8	Yellow	0-255	0-100%
9	CTO	0-255	0-100%
10	CRI	0-127	CRI Filter Out
		128-255	CRI Filter In
11	Color Wheel	000 - 005	WHITE
		006 - 115	White light → Color 1.. Color 6 → White light Linear movement
		116 - 120	WHITE
		121 - 130	Color 1
		131 - 140	Color 2
		141 - 150	Color 3
		151 - 160	Color 4
		161 - 170	Color 5
		171 - 192	WHITE
		193 - 223	Counter-Clockwise Rotation, Fast to Slow
		224 - 224	STOP
		225 - 255	Clockwise Rotation, Slow to Fast
12	Color Wheel Fine	0-255	0-100%
13	Iris	000 - 225	Iris from large to small
		226 - 235	Iris slow open fast close from slow to fast
		236 - 245	Iris slow close fast open from slow to fast
		246 - 255	Iris slow close fast open from slow to fast
14	Iris Fine	0-255	0-100%
15	Frost 1	0-127	Frost 1 Off
		128-255	Frost 1 On
16	Zoom	0-255	Wide to Narrow
17	Zoom Fine	0-255	0-100%
18	Focus	0-255	0-100%
19	Focus Fine	0-255	0-100%
20	Strobe	0-3	Close
		4-99	Synchronized Strobe
		100-149	Pulse Strobe
		150-199	Flash Strobe
		200-249	Random Strobe
		250-255	Open

21	Dimmer	0-255	0-100%
22	Dimmer Fine	0-255	0-100%
23	BLADE Rotate	0-255	0°-180°
24	BLADE UP 1	0-255	Blade Up A 0%-100%
25	BLADE UP 2	0-255	Blade Up B 0%-100%
26	BLADE LF 1	0-255	Blade Left A 0%-100%
27	BLADE LF 2	0-255	Blade Left B 0%-100%
28	BLADE DW 1	0-255	Blade Down A 0%-100%
29	BLADE DW 2	0-255	Blade Down B 0%-100%
30	BLADE RG 1	0-255	Blade Right A 0%-100%
31	BLADE RG 2	0-255	Blade Right B 0%-100%
32	Macro	000 - 005	No function
		006 - 020	Horizontal reverse open
		021 - 025	Horizontal reverse close
		026 - 030	Vertical reverse open
		031 - 035	Vertical reverse close
		036 - 040	Mobile light blocking ON
		041 - 045	Mobile light blocking OFF
		046 - 050	No function
		051 - 055	Fan set to auto mode
		056 - 060	Fan set to high speed mode
		061 - 065	Fan set to high Silent mode
		066 - 070	Fan set to ultra-quiet mode
		071 - 075	Curve Linear
		076 - 080	Curve Square
		081 - 085	Curve Inv Square
		086 - 090	Curve S
		091 - 095	400Hz
		096 - 100	1200Hz
		101 - 105	2000Hz
		106 - 110	4000Hz
		111 - 115	6000Hz
		116 - 120	8000Hz
		121 - 125	16KHz
		126 - 130	24KHz
		131 - 135	Display backlight on
		136 - 140	Display backlight for 15 s
		141 - 145	Display backlight for 30 s
		146 - 150	Display backlight for 60 s
		151 - 155	Dimmer Speed Smooth
		156 - 160	Dimmer Speed Fast
161 - 165	Reset Pan/Tilt		
166 - 170	Reset Moving Head		
171 - 175	Reset All		
176 - 180	Signal Keep on		
181 - 185	Signal Keep off		
186 - 255	No function		

42 Channel Mode

CH	FUNCTION	VALUE	Description
1	Pan	0-255	0° → 540°
2	Pan Fine	0-255	16 Bit Adjustable
3	Tilt	0-255	0° → 270°
4	Tilt Fine	0-255	16 Bit Adjustable
5	PAN/TILT Speed	0-255	Fast to Slow
6	Cyan	0-255	0-100%
7	Magenta	0-255	0-100%
8	Yellow	0-255	0-100%
9	CTO	0-255	0-100%
10	CRI	0-127	CRI Filter Out
		128-255	CRI Filter In
11	Color Wheel	000 - 005	WHITE
		006 - 115	Color Wheel Indexing
		116 - 120	WHITE
		121 - 130	Color 1
		131 - 140	Color 2
		141 - 150	Color 3
		151 - 160	Color 4
		161 - 170	Color 5
		171 - 192	WHITE
		193 - 223	Counter-Clockwise Rotation, Fast to Slow
		224 - 224	STOP
225 - 255	Clockwise Rotation, Slow to Fast		
12	Color Wheel Fine	0-255	0-100%
13	Gobo	0-7	White light
		8-20	Gobo 1
		21-33	Gobo 2
		34-46	Gobo 3
		47-59	Gobo 4
		60-72	Gobo 5
		73-85	Gobo 6
		86-98	Gobo 7
		99-111	Gobo 1 shakes from slow to fast
		112-124	Gobo 2 shakes from slow to fast
		125-137	Gobo 3 shakes from slow to fast
		138-150	Gobo 4 shakes from slow to fast
		151-163	Gobo 5 shakes from slow to fast
		164-176	Gobo 6 shakes from slow to fast
		177-189	Gobo 7 shakes from slow to fast
		190-221	Counterclockwise flow from fast to slow
222-223	Stop water flow		
224-255	Clockwise flow from slow to fast		

14	Gobo Rotate	0-127	Index 0°- 360°
		128-190	Counter-Clockwise Rotation, Fast to Slow
		191-192	Stop
		193-255	Clockwise Rotation, Slow to Fast
15	GOBO Rotate Fine	0-255	0-100%
16	Pattern	0-5	White color
		6-16	Gobo 1
		17-27	Gobo 2
		28-38	Gobo 3
		39-49	Gobo 4
		50-60	Gobo 5
		61-71	Gobo 6
		72-82	Gobo 7
		83-93	Gobo 8
		94-105	Gobo 1 Shaking, Slow to Fast
		106-117	Gobo 2 Shaking, Slow to Fast
		118-129	Gobo 3 Shaking, Slow to Fast
		130-141	Gobo 4 Shaking, Slow to Fast
		142-153	Gobo 5 Shaking, Slow to Fast
		154-165	Gobo 6 Shaking, Slow to Fast
		166-177	Gobo 7 Shaking, Slow to Fast
		178-189	Gobo 8 Shaking, Slow to Fast
190-221	Counter-Clockwise Rotation, Fast to Slow		
222-223	Stop		
224-255	Clockwise Rotation, Slow to Fast		
17	Pattern Effects	0-7	Effects Gobo Cut Out
		7-63	Index 0°- 360°
		64-126	Counter-Clockwise Rotation, Fast to Slow
		127-128	Stop
		129-191	Clockwise Rotation, Slow to Fast
		192-255	Effect pattern rotates back and forth, from slow to fast
18	Iris	000 - 225	Iris from large to small
		226 - 235	Iris slow open fast close from slow to fast
		236 - 245	Iris slow close fast open from slow to fast
		246 - 255	Iris slow close slow open from slow to fast
19	Iris Fine	0-255	0-100%
20	Prism 1	0-7	Prism 1 Out
		8-255	Prism 1 In
21	Prism 1 Rotate	0-127	Index 0°- 360°
		128-189	Counter-Clockwise Rotation, Fast to Slow
		190-193	Stop
		194-255	Clockwise Rotation, Slow to Fast
22	Prism 2	0-7	Prism 2 Out
		8-255	Prism 2 In

23	PRISM 2 Rotate	0-127	Index 0°- 360°
		128-189	Counter-Clockwise Rotation, Fast to Slow
		190-193	Stop
		194-255	Clockwise Rotation, Slow to Fast
24	Frost 1	0-127	Frost 1 Off
		128-255	Frost 1 On
25	Zoom	0-255	Wide to Narrow
26	Zoom Fine	0-255	0-100%
27	Focus	0-255	0-100%
28	Focus Fine	0-255	0-100%
29	Strobe	0-3	Close
		4-99	Synchronized Strobe
		100-149	Pulse Strobe
		150-199	Flash Strobe
		200-249	Random Strobe
		250-255	Open
30	Dimmer	0-255	0-100%
31	Dimmer Fine	0-255	0-100%
32	Blade Rotate	0-255	0°-180°
33	Blade Rotate fine	0-256	0-100%
34	BLADE UP 1	0-255	Blade Up A 0%-100%
35	BLADE UP 2	0-255	Blade Up B 0%-100%
36	BLADE LF 1	0-255	Blade Left A 0%-100%
37	BLADE LF 2	0-255	Blade Left B 0%-100%
38	BLADE DW 1	0-255	Blade Down A 0%-100%
39	BLADE DW 2	0-255	Blade Down B 0%-100%
40	BLADE RG 1	0-255	Blade Right A 0%-100%
41	BLADE RG 2	0-255	Blade Right B 0%-100%
42	Macro	000 - 005	No function
		006 - 020	Horizontal reverse open
		021 - 025	Horizontal reverse close
		026 - 030	Vertical reverse open
		031 - 035	Vertical reverse close
		036 - 040	Mobile light blocking ON
		041 - 045	Mobile light blocking OFF
		046 - 050	No function
		051 - 055	Fan set to auto mode
		056 - 060	Fan set to high speed mode
		061 - 065	Fan set to high Silent mode
		066 - 070	Fan set to ultra-quiet mode
		071 - 075	Curve Linear
		076 - 080	Curve Square
		081 - 085	Curve Inv Square
086 - 090	Curve S		

091 - 095	400Hz
096 - 100	1200Hz
101 - 105	2000Hz
106 - 110	4000Hz
111 - 115	6000Hz
116 - 120	8000Hz
121 - 125	16KHz
126 - 130	24KHz
131 - 135	Display backlight on
136 - 140	Display backlight for 15 s
141 - 145	Display backlight for 30 s
146 - 150	Display backlight for 60 s
151 - 155	Dimmer Speed Smooth
156 - 160	Dimmer Speed Fast
161 - 165	Reset Pan/Tilt
166 - 170	Reset Moving Head
171 - 175	Reset All
176 - 180	Signal Keep on
181 - 185	Signal Keep off
186 - 255	No function



CYCLOPS
LIGHTING

Cyclops Lighting creates professional lighting fixtures for **lighting professionals**. Our extensive product catalog covers every lighting application, from small to big, from simple to complex. We focus on maximizing value for our users, ensuring superior **performance**, complete **documentation** and expert **worldwide support**.



www.cyclopslighting.com