

SL NITRO 510

LED Strobe Luminaire



The SL NITRO 510 is a cutting-edge new LED based strobe luminaire that provides intense bursts of light and dynamic effects. The tightly packed array of over 1300 high power LEDs ensures maximum output and full-field, even distribution across 120°. The rugged construction, Showline standard LCD menu system, continuous-on operation and lower power consumption guarantee the SL NITRO 510 is the perfect strobe luminaire for any application.

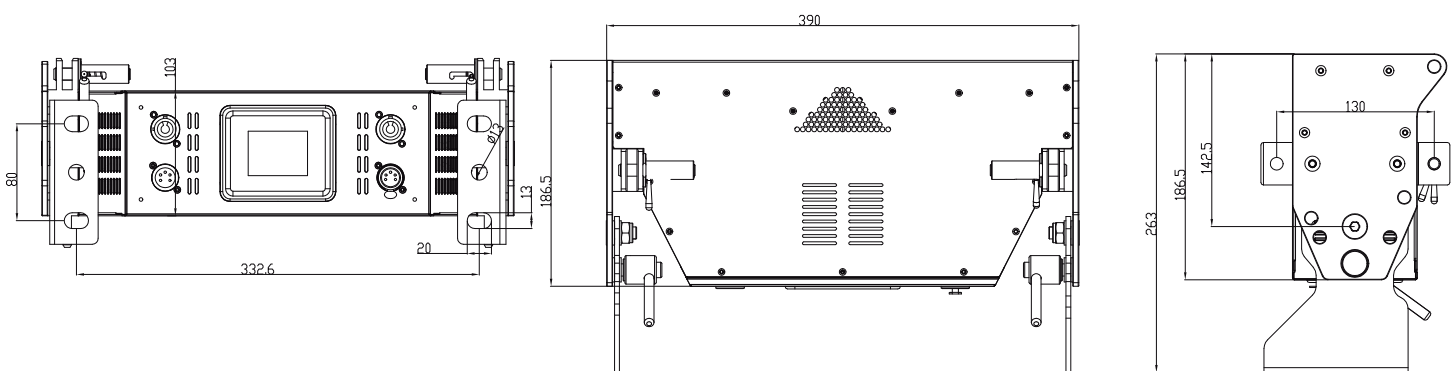
A unique quick-connect systems allows SL NITRO 510 units to connect together easily top-to-bottom and side-by-side. In addition, the form factor of the SL NITRO 510 matches the SL BAR 520 so the two luminaires can be interconnected providing unlimited design possibilities.

Six unique zones of control allow ultimate flexibility while unique built in chases aid in creativity and simplicity. With over 68,000 lumens of output, the SL NITRO 510 rivals conventional strobes and retains dynamic looks whether washing a stage or pointing directly at an audience.

Features :

- Rugged Construction, IP20
- Physical similarity and connectivity with SL BAR 520
- Quick connections for linking fixtures end-to-end or top/bottom
- 6500 K color temperature
- Six independent zones of control
- Preprogrammed special effects
- Continuous blinder effect
- Built-in presets, effects and chases
- Multiple DMX modes for total control and easy retrofits
- On-board LCD Menu System for addressing and setup
- Remote configuration available via RDM
- PowerCon in and thru power connections
- 5-pin DMX-512A(RDM) in and thru connections
- Quiet temperature-controlled fan cooling
- Auto-ranging power supply (100-240V, 50/60 Hz)

Drawing Diagram :



Technical Specifications :

Version:
SL NITRO 510, IP20

Optics:
120 degree beam angle
1350 high power White SMD LEDs

Controls:
DMX-512A(RDM)
Local LCD control
Master/slave

Modes:
"Classic" 1, 3, and 4 channel
16-bit
16-bit Zone Mapping

Features:
Variable strobe : 0 - 650 ms
Strobe rate : 0 - 30 flashes/second
Blinder effect : Full on capability of nearly unlimited duration
without any loss in output
Special effects : Ramp up, ramp down, ramp up-down,
random flash, single flash, zone chases and shapes

Physical:
100 - 240VAC, 360W
390mm x 263mm x 103mm, 7Kg
16" x 11" x 4", 15.4 lbs
CE, ETL, cTick

Luminance:
>68,000 lumens



SL NITRO

510

"Setting the new standard for strobe lighting"