

C21 and EC21

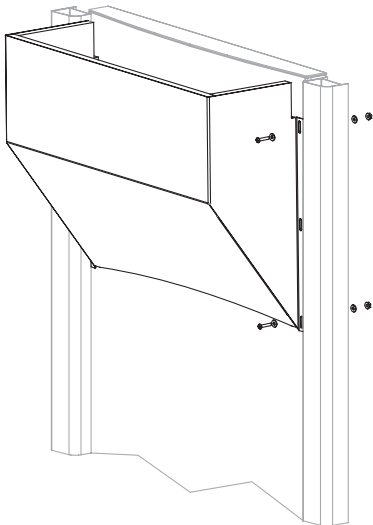
Sound Suppression Device

For C21 or EC21 dimmer rack installations where fan noise is objectionable, Philips Strand Lighting offers a sound suppression device for dimmer racks utilizing the dual upper fan cooling kit. In June of 2011, Philips Strand Lighting initiated a design change to the cooling system for C21 and EC21 dimmer racks. This cooling change improves the overall performance of the dimmer rack when modules are a mixture of SCR and IGBT or is fully populated with IGBT dimming modules. The fans have been changed from three (3) 300CFM fans in the lower portion of the rack to two (2) 600CFM fans in the upper portion of the rack. This change has been made to allow for better cooling and better dimming efficiency.

When the the dimming rack is placed in a noise sensitive location, the sound suppression device should be utilized to reduce the noise from the cooling fans. This is accomplished by redirecting the exhaust air flow into an enclosure lined with acoustical absorption foam. Designed for field retrofit installation, the sound suppression device can be installed on any C21 or EC21 dimming rack (24 or 48 module versions) utilizing top mounted fans.

Features

- Reduction of sound frequency from an A scale to a D scale which in turn reduces the direction of the sound emission
- Reduces decibel output by over 8dB - Reduction of sound between 8 and 10 Decibels is commonly perceived to be one half of the previous sound pressure output
- Will not impede normal rack cooling
- Suitable for 24 and 48 module C21 / EC21 Dimming Racks
- Mounts easily with 4 bolts without modifying the existing dimming rack door assembly (mounting hardware supplied with unit)



Sound Suppression Device

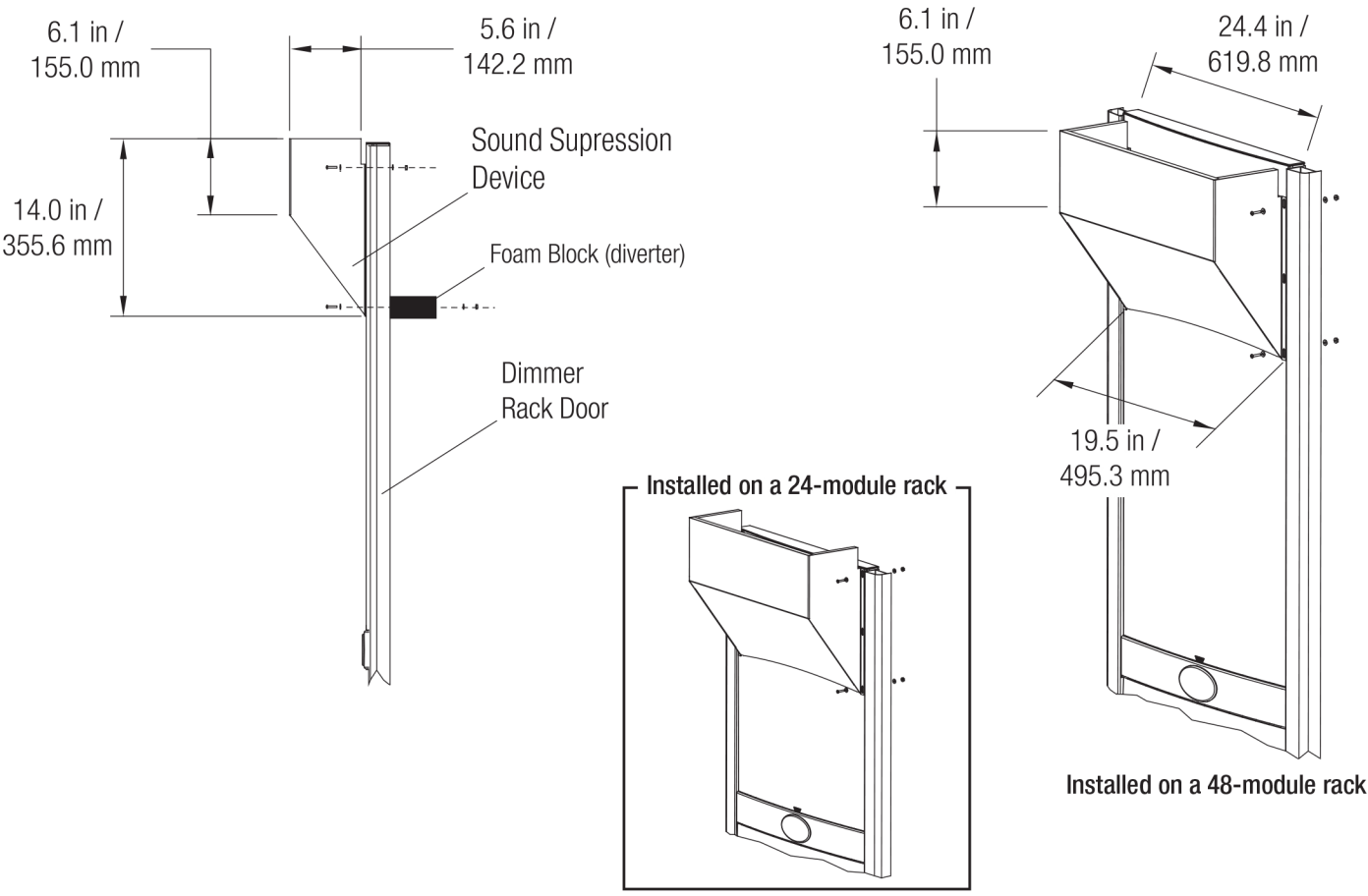


For use with C21 and EC21 24 and 48 Module Dimming Racks

PHILIPS
Strand Lighting

SPECIFICATION SUBMITTAL

CONSULTANT: <input type="text"/>	PROJECT NAME: <input type="text"/>	MODEL NUMBER QUANTITY: <input type="text"/> <input type="text"/> <input type="text"/> <input type="text"/> <input type="text"/> <input type="text"/>
DATE: <input type="text"/>	PROJECT NUMBER: <input type="text"/>	APPROVED BY: <input type="text"/>



Illustrations are for reference only. Refer to installation instructions (supplied with unit) for installation requirements.

Technical Specifications

Construction:	Formed steel assembly / Sound absorbing foam with a VHB or better flame rating
Weight:	5.8 lbs / 2.6 kg
Dimensions:	14.0 (H) x 19.5 (W) x 5.63 (D) inches / 355.6 (H) x 495.3 (W) x 142.2 (D) mm