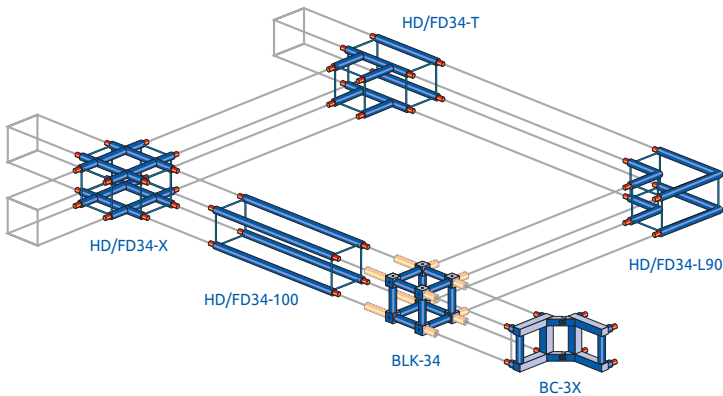


# HD34 / FD34 Square Truss

Example of a one level and a two level construction

## One level construction



## HD34 / FD34 Construction

These elements allow constructions in up to three levels, thus permitting almost limitless possibilities for the realization of creative ideas.

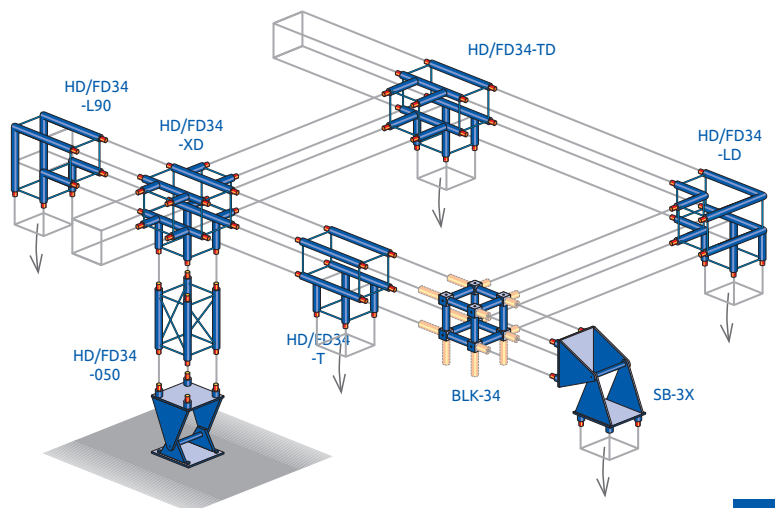
To avoid various corner problems or increasing strength in the corner parts, the universal cornerblock with bold on receivers in various lengths is the answer.

In the cornerblock as well as in the bold on receivers a small hole is drilled to match a spring pin so the position is determined. Easy to connect, safe and fully locked.

## Measurement Corners for HD34 / FD34

Cornercode	Size in cm	Size in feet
HD/FD34-L45	100 x 100	3,28 x 3,28
HD/FD34-L60	100 x 100	3,28 x 3,28
HD/FD34-L90	50 x 50	1,64 x 1,64
HD/FD34-L120	50 x 50	1,64 x 1,64
HD/FD34-L135	50 x 50	1,64 x 1,64
HD/FD34-T	50 x 50	1,64 x 1,64
HD/FD34-X	50 x 50	1,64 x 1,64
HD/FD34-LD	50 x 50	1,64 x 1,64
HD/FD34-TD	50 x 50	1,64 x 1,64
HD/FD34-XD	50 x 50 x 50	1,64 x 1,64 x 1,64
HD/FD34-XUD	50 x 50 x 50	1,64 x 1,64 x 1,64
BLK-34	90° in 6 dir.	
CS1-BOB105	105mm*	4,13in*
CS1-A210	210mm*	8,27in*
SC-3X	0-180°, Swivelcorner	
SB-3X	0-180°, Swivelbase	
BC-3X	0-180°, Bookcorner	

## Two level construction



## Loadcases FD34

Unit		EU	US	EU	US	EU	US	EU	US	EU	US	EU	US	EU	US
Length	m   ft	4	13,12	6	19,68	8	26,24	10	32,8	12	39,36	14	45,92	16	52,48
CPL	kg   lbs	950	2090	670	1474	497	1093	385	847	331	728	260	572	249	548
Deflection	mm   inch	10	0,40	25	1	44	1,76	70	2,8	105	4,2	141	5,64	202	8,08
UDL:	kg/mtr   lbs/ft	460	309	224	151	124	83	80	54	55	37	36	24	31	21
Deflection	mm   inch	12	0,48	31	1,24	54	2,16	88	3,52	128	5,12	166	6,64	243	9,72

\*4 pcs.required for one attachment

HD/FD44  
HD/FD43  
HD/FD42  
HD/FD34  
HD/FD33  
HD/FD32  
FD31