

TD35 GROUND SUPPORT TOWER

The heavy duty 35cm (13,78in) Tower for ground supported ST and Roofs

The ST Support Tower

The TD35 Tower makes for an excellent vertical truss that allows the safe, quick lifting of regularly loaded horizontal ST Truss Rig and Roofs to their service height.

In terms of static, the TD35 Tower is designed for a high flexural- and pressure strain.

Especially due to the roofs this high flexural strain is required.



Top Section:

A new multifunctional top part for use of manual chain hoist as well as motorized hoist has been redesigned and built stronger.

Tower Truss:

TD35 Tower Truss is a square 35cm (13,78in) heavy duty truss with one on side integrated horizontal bracing for safe and easy climbing.

Naturally this TD35 Truss has been made according DIN 4113 and approved by TuV.

Hinge Set:

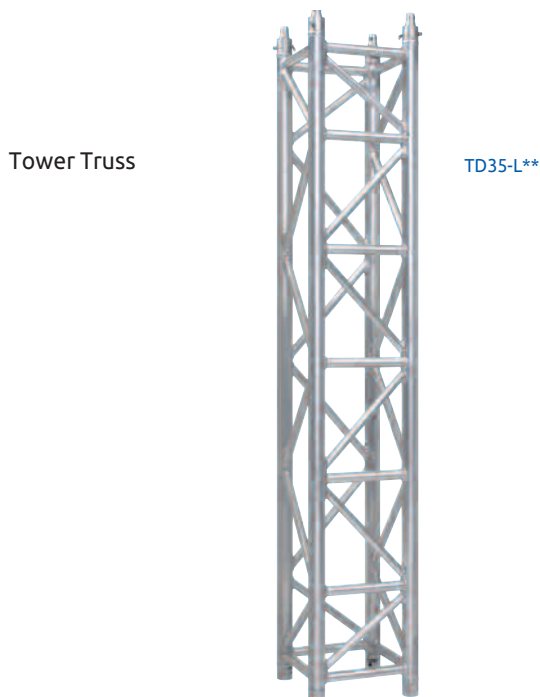
A strong, safe and cost effective solution to erect the TD35 Tower. The hinge sets are 100mm (3,94in) long.

Those half connectors with a hinge fork allow a very high vertical load. 4 Hinge sets (2 left and 2 right) are required per tower.



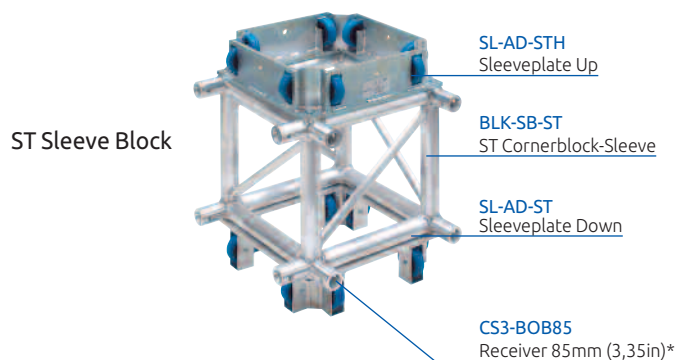
Top Section

TOP35-1



Tower Truss

TD35-L**



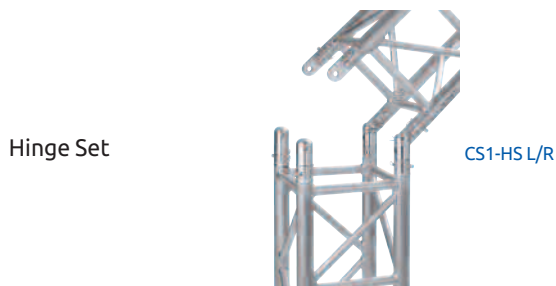
ST Sleeve Block

SL-AD-STH
Sleeveplate Up

BLK-SB-ST
ST Cornerblock-Sleeve

SL-AD-ST
Sleeveplate Down

CS3-BOB85
Receiver 85mm (3,35in)*



Hinge Set

CS1-HS L/R

Base: BASE-02

OUTR-S02
Short Outrigger

STAB-02
Stabilizer

OUTR-L02
Long Outrigger



Sleeve Block:

Standard sized ST corner block with the usage of 2 bolted sleeve plates guarantees a perfect geometric rig.

These blocks make it possible to fit the ST Truss to all four sides by using bolted receivers.

The upper sleeve plate is equipped with an integrated hanging point.

Base:

Steel Base on wheels available with short outriggers and long outriggers in combination with stabilizer bars.