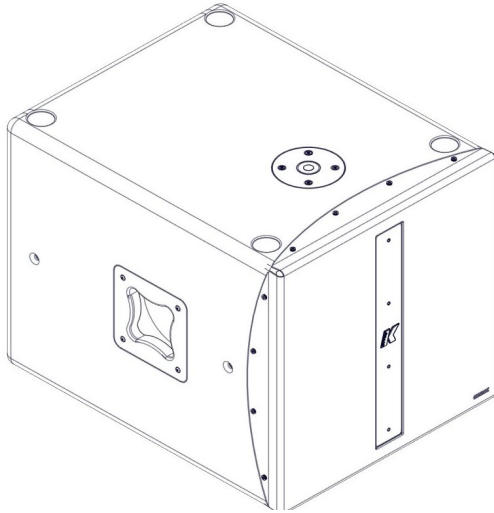


# KMT18P

Ultra-light, high-power  
passive 18" subwoofer



## DATASHEET



### Features

- Unique performance-to-size ratio
- High power 127 dB continuous - 133 dB peak
- Fitted with integral handles
- Direct radiating, long excursion 18" driver
- Ultra fast set-up and dismantling system

### Applications

- Theatrical sound reinforcement
- Clubs, Houses of worship
- Portable and installed audio-visual systems
- Cinema surround sound and effects

The K-array KMT18P is a high performance passive subwoofer featuring a 18" neodymium magnet woofer with suspension engineered for maximum linear excursion.

The KMT series' unique four-corner port configuration provides symmetrical back loading to the speakers, for extended bass response with very low distortion. The port configuration also provides incredible structural strength to the cabinet, despite its light weight.

Specifications	
<b>Acoustics</b>	
Power handling	800 W <sup>(AES)</sup>
Impedance	8Ω
Frequency range	35 Hz - 150 Hz. +/- 3dB (Preset dependent)
Maximum SPL	127 dB continuous - 133 dB peak
<b>Coverage</b>	
Horizontal	Omni
Vertical	Omni
<b>Crossover</b>	
Type	External Crossover required
Frequency	Low pass @ 150 Hz maximum
<b>Transducers</b>	
Full range	1 x 18" Neodymium magnet with 3" voice coil
<b>Power Audio Input</b>	
Connectors	2 x NL4 Speakon
Wiring	1+ 1- (signal IN & LINK); 2+ 2- (through)
<b>Physical</b>	
Dimensions	46.5 x 46.5 x 59.2 cm (18.3" x 18.3" x 23.3")
Weight	24.6 kg (54.2 lbs)
<small>New materials and design are introduced into existing products without previous notice. Present systems may differ in some respects from those presented in this brochure</small>	

Pocket handles and an M20 thread mount position for attaching mid-high speakers makes it convenient to use and ideal for small throw applications in theaters, concert halls and Audio/Video installations.

All KMT components are designed by K-array and custom-made under K-array's quality control system.