



KU26

Ultra thin, high power passive subwoofer

FEATURES

- Unique performance-to-size ratio
- High power 121 dB SPL (peak)
- 6" long-excursion woofer
- 6" passive radiator
- Extended frequency response
- Double voice coil to allow for selectable impedance (8Ω / 32Ω)
- Weather proof, suitable for outdoor installations

APPLICATIONS

- To extend the low range of the Lizard, Tornado, Vyper and Anakonda mid-high speakers
- Restaurants, Lounges, Stores, Pubs
- Houses of worship, Conference halls
- Portable and installed AV systems

ACCESSORIES

K-2SPK, K-FLY2, K-JOINT2, K-KUIP, K-WALL2, K-WALL2W, K-WALL2L, K-WALL2LW

COLORS AVAILABLE

BLACK  WHITE 



DESCRIPTION

K-array's compact subwoofers have just been scaled down even more. Components from the K-array subwoofer line have been modified to create a smaller, yet extremely powerful, bass system comprised of one 6" Neodymium transducer and one 6" passive radiator, engineered for maximum linear excursion and minimum residual noise.

With a frequency range of 45 Hz to 150 Hz, the KU26 is a companion to the K-array Lizard, Vyper, Tornado and Anakonda speakers. The combination provides full range frequency response with prodigious output and a virtually invisible profile. The KU26 boasts extended frequency response and is electronically protected.

Its Neodymium transducer has a dual voice coil (16+16 Ω) for selectable impedance settings (8/32 Ω) allowing you to combine up to eight KU26 units powered by just one KA84 amplifier channel.

KU26 is made entirely of steel, making it extremely resistant, even when deployed outside in tough weather conditions. This is ideal for water-front environments where ordinary bass speakers would corrode. It cannot be penetrated by foreign objects like dust, sand or water, which over time can damage an ordinary audio element.

The subwoofer is available in black or white to adapt to the aesthetics for almost all applications and has dedicated accessories available and includes integrated flying points for various setups.

The KU26 has been designed to extend the low range in small to medium size rooms. Applications vary from hotels and churches to pubs and restaurants as well as stores and conferences.

All KU26 components are designed by the K-array R&D department and custom made under the K-array quality control system.

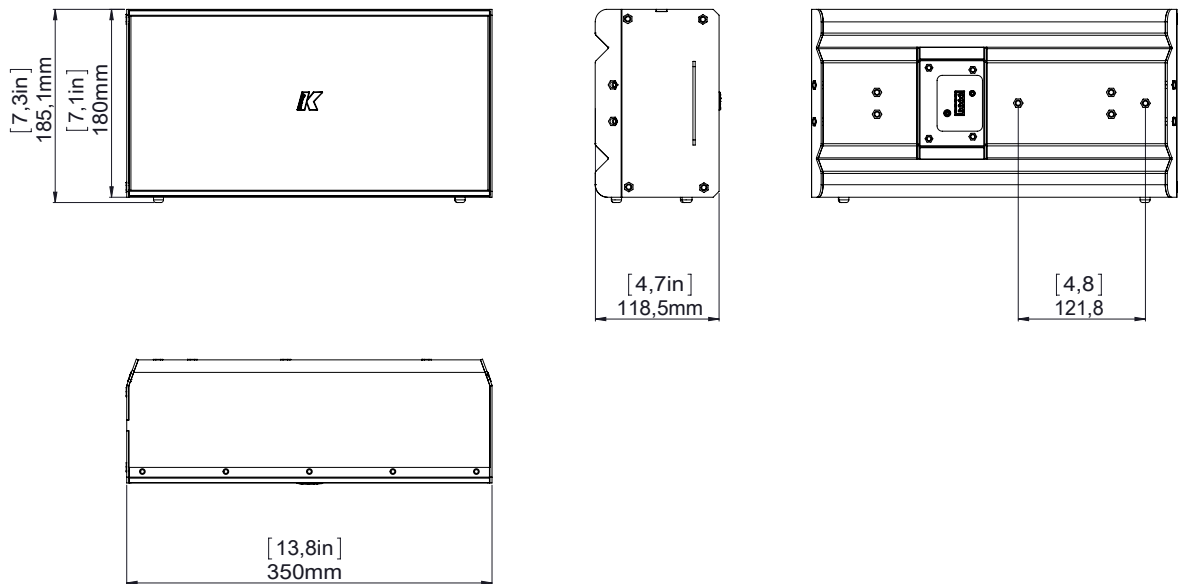


	ACOUSTICS		TRANSDUCERS
Power handling	2 x 80 W	Type	1 x 6" Neodymium magnet with 1.5" voice coil
Impedance	8 / 32 Ω selectable (2 x 16 Ω)	Type	1 x 6" passive transducer
Frequency range (-10 dB)	45 Hz – 150 Hz ⁽¹⁾	POWER AUDIO IN/OUT	
SPL 1W/1mt	89 dB ⁽²⁾	Connectors	1 x 4-pin phoenix connector
Maximum SPL	115 dB (cont.) – 121 dB (peak) ⁽³⁾	RECOMMENDED AMPLIFIERS	
	COVERAGE	Type	KA14, KA24
Horizontal	omni	CERTIFICATION	
Vertical	omni	IP	54 (More complete water protection with K-KUIP accessory)
	CROSSOVER	PHYSICAL	
Type	External crossover required	Dimensions	35.0 cm x 18.0 cm x 11.9 cm (13.8" x 7.1" x 4.7")
Frequency	Low pass @ 150 Hz	Weight	5.9 kg (13.0 lbs)

Notes for data

1. With dedicated preset
2. Measured @ 4 mt then scaled @ 1 mt
3. Measured with musical signal

New materials and design are introduced into existing products without previous notice. Present systems may differ in some respects from those presented in this catalogue.



ARCHITECT SPECIFICATIONS

The passive subwoofer shall be ultra-compact boasting an impressive performance-to-size ratio. The small, yet powerful bass system shall feature a 6" long-excursion Neodymium magnet woofer and a 6" passive radiator to extend the low range of a line array of the Vyper, Lizard, Tornado and Anakonda mid-high speakers. Its Neodymium transducer shall contain a dual 1.5" voice coil for selectable impedance (8/32 Ω).

The subwoofer shall be entirely made of steel with a completely sealed frame making it impregnable to foreign objects including dust, sand and water — ideal for extreme weather conditions, even aquatic environment applications. Its hidden connector shall be a 4-pin Phoenix connector.

The power handling capacity shall be 2 x 80 W. The frequency response (+/- 3dB)

measured on axis shall be 45Hz to 150Hz with a maximum sound pressure of 121 dB (peak). The dimensions (WxHxD) shall not exceed 35.0 x 18.0 x 11.9cm (13.8" x 7.1" x 4.7") and shall weigh no more than 5.9 kg (13.0 lbs).

The loudspeaker shall be the KU26 or the KU26W (in white) by K-array.