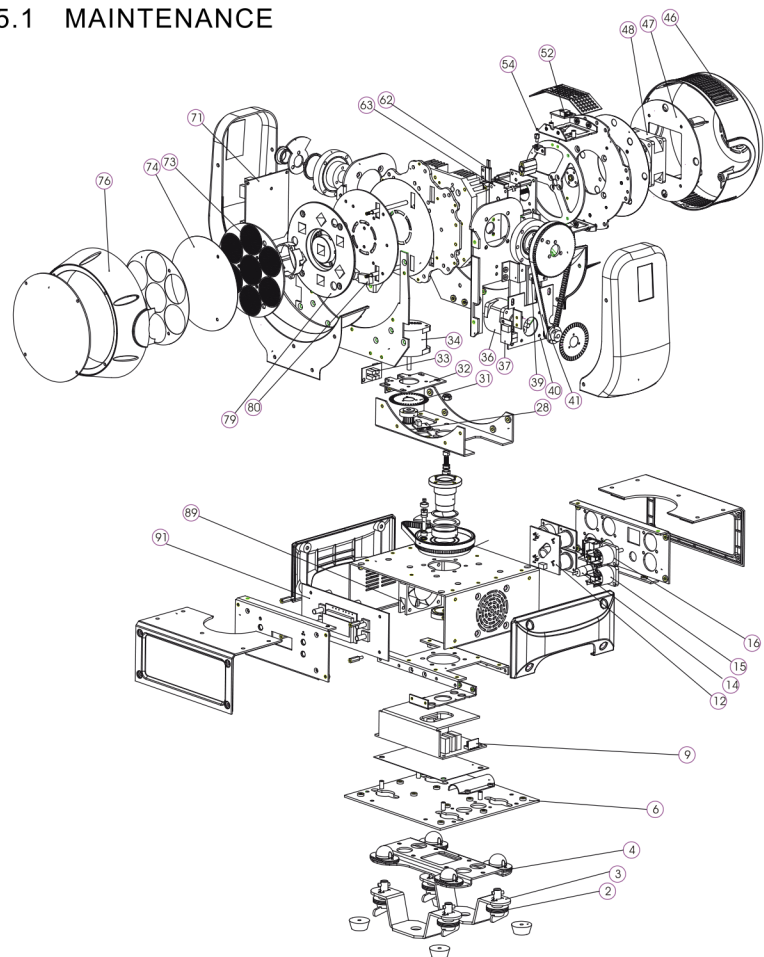


5 APPENDIX

5.1 MAINTENANCE



NO	Part name
1	Quick-lock
2	Hanging bracket
3	Quick-lock cushion
4	Power Supply (PS)
5	Adaptor PCB
6	Fuse
7	PS socket (female)
8	PS socket (male)
9	Magnetic stopper sensor
10	Optical wheel
11	X axis drive team

NO	Part name
12	Optical stopper sensor
13	Three-phase stepper motor
14	Three-phase stepper motor
15	Optical stopper sensor
16	Magnetic stopper sensor
17	Y axis drive team
18	Synchronous belt
19	Head front cover
20	Driver board
21	Fan
22	Magnetic stopper sensor

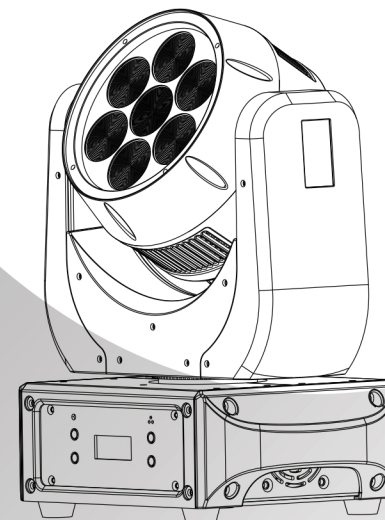
NO	Part name
23	Permanent magnet steel
24	Thermal switch holder
25	Stepping motor
26	Driver support
27	Focus cover
28	3.5 degree frosted flakes
29	Head back cover
30	Reflective bowl
31	LED board
32	Fan
33	Display board

CYCLOPS

L I G H T I N G

ZOOM 7

USER MANUAL



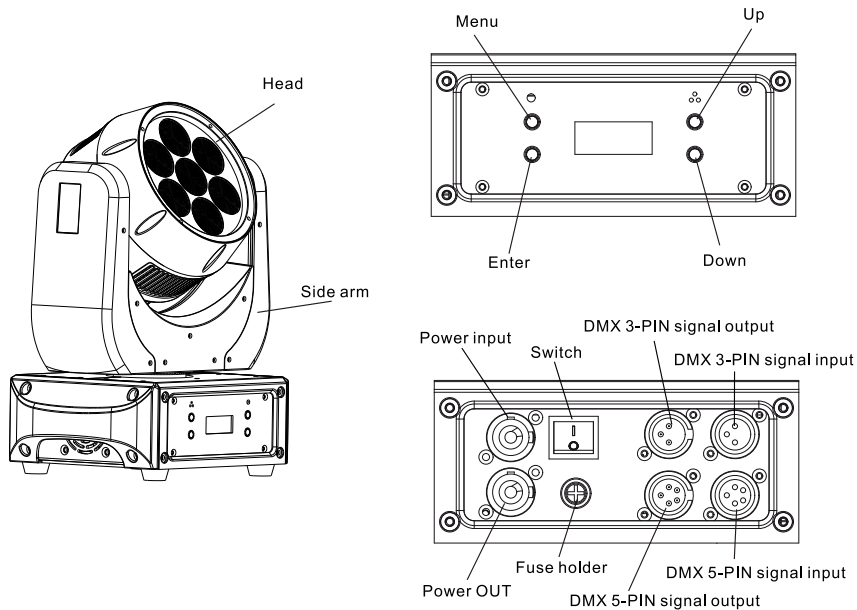
1 PRODUCT SPECIFICATIONS

1.1 PRODUCT SPECIFICATIONS

Electrical

- ◆ Voltage: AC100~240V, 50/60Hz
- ◆ Max Power: 160W
- ◆ Size: 251x179x313mm
- ◆ Weight: 5.8kg



1.2 PRODUCT FEATURES



PERSON5

CHANNEL	FUNCTION	VALUE	EFFECT
1	PAN	000 ↔ 255	0~540°
2	PAN FINE	000 ↔ 255	0~3°
3	TILT	000 ↔ 255	0~270°
4	TILT FINE	000 ↔ 255	0~3°
5	PAN/TILT SPEED	000 ↔ 255	From fast to slow
6	DIMMER	000 ↔ 255	Dark to light
7	DIMMER FINE	000 ↔ 255	Dark to light
8	STROBE	000 ↔ 009 010 ↔ 255	NO function 1~20Hz
9	ZOOM	000 ↔ 255	Since the zoom
10	CONTROL	000 ↔ 007 008 ↔ 019 020 ↔ 039 040 ↔ 059 060 ↔ 079 080 ↔ 099 100 ↔ 119 120 ↔ 139 140 ↔ 149 150 ↔ 159 160 ↔ 169 170 ↔ 179 180 ↔ 199 200 ↔ 219 220 ↔ 235 236 ↔ 239 240 ↔ 243 244 ↔ 247 248 ↔ 251 252 ↔ 255	NO FUNCTION UC/RGBTW PAN/TILT BLACK ACTIVATED PAN/TILT BLACK DEACTIVATED FAN AUTO FAN SLOW FAN NORMAL FAN FAST AUTO1 AUTO2 TEST CUSTOM NO FUNCTION RESET NO FUNCTION DIM0 DIM1 DIM2 DIM3 DIM4
11	RED1	000 ↔ 255	RED1
12	RED1 FINE	000 ↔ 255	RED1 FINE
13	GREEN1	000 ↔ 255	GREEN1
14	GREEN1 FINE	000 ↔ 255	GREEN1 FINE
15	BLUE1	000 ↔ 255	BLUE1
16	BLUE1 FINE	000 ↔ 255	BLUE1 FINE
17	WHITE1	000 ↔ 255	WHITE1
18	WHITE1 FINE	000 ↔ 255	WHITE1 FINE
19	RED2	000 ↔ 255	RED2
20	RED2 FINE	000 ↔ 255	RED2 FINE
21	GREEN2	000 ↔ 255	GREEN2
22	GREEN2 FINE	000 ↔ 255	GREEN2 FINE
23	BLUE2	000 ↔ 255	BLUE2
24	BLUE2 FINE	000 ↔ 255	BLUE2 FINE
25	WHITE2	000 ↔ 255	WHITE2
26	WHITE2 FINE	000 ↔ 255	WHITE2 FINE

PERSON4

CHANNEL	FUNCTION	VALUE	EFFECT
1	PAN	000 ↔ 255	0~540°
2	PAN FINE	000 ↔ 255	0~3°
3	TILT	000 ↔ 255	0~270°
4	TILT FINE	000 ↔ 255	0~3°
5	PAN/TILT SPEED	000 ↔ 255	From fast to slow
6	DIMMER	000 ↔ 255	Dark to light 
7	STROBE	000 ↔ 009 010 ↔ 255	NO function 1~20Hz
8	ZOOM	000 ↔ 255	Since the zoom 
9	CONTROL	000 ↔ 007 008 ↔ 019 020 ↔ 039 040 ↔ 059 060 ↔ 079 080 ↔ 099 100 ↔ 119 120 ↔ 139 140 ↔ 149 150 ↔ 159 160 ↔ 169 170 ↔ 179 180 ↔ 199 200 ↔ 219 220 ↔ 235 236 ↔ 239 240 ↔ 243 244 ↔ 247 248 ↔ 251 252 ↔ 255	NO FUNCTION UC/RGBTW PAN/TILT BLACK ACTIVATED PAN/TILT BLACK DEACTIVATED FAN AUTO FAN SLOW FAN NORMAL FAN FAST AUTO1 AUTO2 TEST CUSTOM NO FUNCTION RESET NO FUNCTION DIM0 DIM1 DIM2 DIM3 DIM4
10	RED	000 ↔ 255	RED
11	RED FINE	000 ↔ 255	RED FINE
12	GREEN	000 ↔ 255	GREEN
13	GREEN FINE	000 ↔ 255	GREEN FINE
14	BLUE	000 ↔ 255	BLUE
15	BLUE FINE	000 ↔ 255	BLUE FINE
16	WHITE	000 ↔ 255	WHITE
17	WHITE FINE	000 ↔ 255	WHITE FINE

1.3 SAFETY WARNING

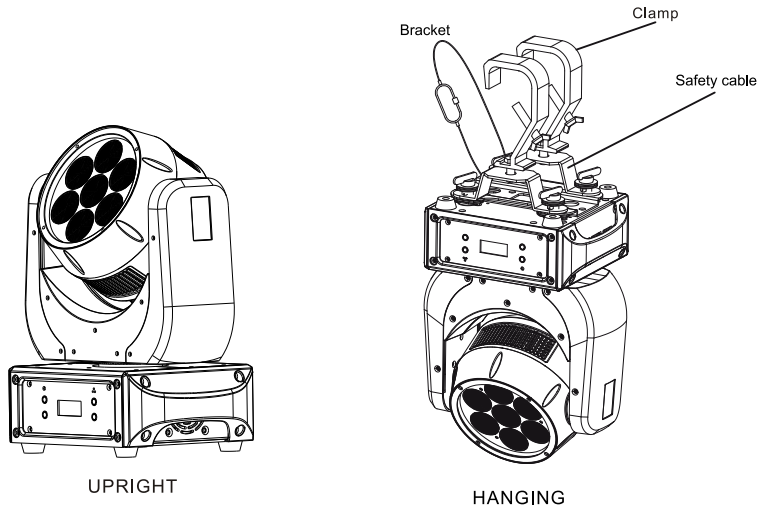
IMPORTANT:

- This product must be installed by a qualified professional.
- All maintenance must be carried out by a qualified electrician.
- A minimum distance of 0.5m must be maintained between the equipment and a combustible surface.
- The product must always be operated in a well ventilated area.
- DO NOT stare directly into the LED light source.
- Always disconnect the power before carrying out any maintenance.
- The earth must always be connected to the ground.
- Ensure that all parts of the equipment are kept clean and free of dust.


2 INSTALLATION

2.1 MOUNTING:

- The fixture can be mounted in any position.
- Always ensure that mounting surface can withstand 10 times the weight of the fixture.
- Always use a safety cable when mounting the fixture in any elevated position.






PERSON3

CHANNEL	FUNCTION	VALUE	EFFECT
1	PAN	000 ↔ 255	Clockwise rotate 0~540°
2	TILT FINE	000 ↔ 255	Fine control of tilt movement 0~270°
3	HUE	000 ↔ 255	HUE
4	SATURATION	000 ↔ 255	SATURATION
5	VALUE	000 ↔ 255	VALUE
6	STROBE	000 ↔ 009 010 ↔ 255	NO function 1~20Hz
7	ZOOM	000 ↔ 255	Since the zoom 
8	CONTROL	000 ↔ 007 008 ↔ 019 020 ↔ 039 040 ↔ 059 060 ↔ 079 080 ↔ 099 100 ↔ 119 120 ↔ 139 140 ↔ 149 150 ↔ 159 160 ↔ 169 170 ↔ 179 180 ↔ 199 200 ↔ 219 220 ↔ 235 236 ↔ 239 240 ↔ 243 244 ↔ 247 248 ↔ 251 252 ↔ 255	NO FUNCTION UC/RGBTW PAN/TILT BLACK ACTIVATED PAN/TILT BLACK DEACTIVATED FAN AUTO FAN SLOW FAN NORMAL FAN FAST AUTO1 AUTO2 TEST CUSTOM NO FUNCTION RESET NO FUNCTION DIM0 DIM1 DIM2 DIM3 DIM4

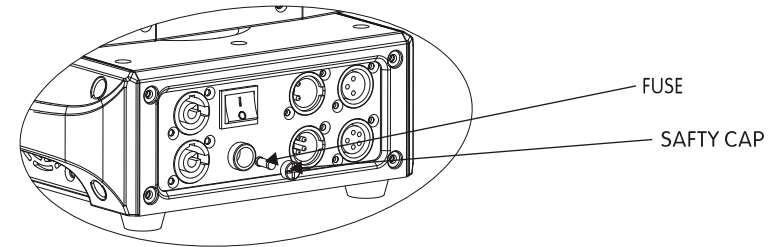
IMPORTANT SAFETY NOTE!!

Always use a safety cable when installing this unit!!
Be sure that the safety cable is connected to a solid load-bearing structure.

CHANNEL	FUNCTION	VALUE	EFFECT
15	AUTO RINGS	000 ↔ 009	ALL RINGS
		010 ↔ 019	STATIC RING 1
		020 ↔ 029	STATIC RING 2
		030 ↔ 039	RING EFFECT 1: FILL centre-out with black (1, 1+2, 0)
		040 ↔ 049	RING EFFECT 2: FILL out-centre with black (2+1, 1, 0)
		050 ↔ 059	RING EFFECT 3: RING centre-out with black (2,1+2, 0)
		060 ↔ 069	RING EFFECT 4: RING out-centre with black (1+2, 2, 0)
		070 ↔ 079	RING EFFECT 5: dot FILL centre-out with black (2,1+2, 0)
		080 ↔ 089	RING EFFECT 6: dot FILL out-centre with black (1+2, 2, 0)
		090 ↔ 099	RING EFFECT 7: DOT STROBE (1, 0)
		100 ↔ 109	RING EFFECT 8: RING STROBE (2, 0)
		110 ↔ 119	RING EFFECT 9: LINES ONEWAY (2, 1, 2)
		120 ↔ 129	RINGEFFECT10:LINESONEWAYwithblack(2,1,2,0)
		130 ↔ 139	STATIC RING WITH COLOR 1: (1=green, 2=red)
		140 ↔ 149	STATIC RING WITH COLOR 2: (1=blue, 2=red)
		150 ↔ 159	STATIC RING WITH COLOR 3: (1=white, 2=red)
		160 ↔ 169	STATIC RING WITH COLOR 4: (1=red, 2=blue)
		170 ↔ 179	STATIC RING WITH COLOR 5: (1=green, 2=blue)
		180 ↔ 189	STATIC RING WITH COLOR 6: (1=white, 2=blue)
		190 ↔ 199	STATIC RING WITH COLOR 7: (1=red, 2=green)
		200 ↔ 209	STATIC RING WITH COLOR 8: (1=blue, 2=green)
		210 ↔ 219	STATIC RING WITH COLOR 9: (1=white, 2=green)
		220 ↔ 229	STATIC RING WITH COLOR 10: (1=red, 2=white)
		230 ↔ 239	STATIC RING WITH COLOR 11: (1=green, 2=white)
		240 ↔ 249	STATIC RING WITH COLOR 12: (1=blue, 2=white)
		250 ↔ 255	ALL RINGS
16	AUTO SPEED	000 ↔ 255	Slow to fast
17	DIMMER	000 ↔ 255	Dark to light 
18	DIMMER FINE	000 ↔ 255	Dark to light 
19	STROBE	000 ↔ 009 010 ↔ 255	NO function 1~20Hz
20	ZOOM	000 ↔ 255	Since the zoom 
21	CONTROL	000 ↔ 007	NO FUNCTION
		008 ↔ 019	UC/RGBTW
		020 ↔ 039	PAN/TILT BLACK ACTIVATED
		040 ↔ 059	PAN/TILT BLACK DEACTIVATED
		060 ↔ 079	FAN AUTO
		080 ↔ 099	FAN SLOW
		100 ↔ 119	FAN NORMAL
		120 ↔ 139	FAN FAST
		140 ↔ 149	AUTO1
		150 ↔ 159	AUTO2
		160 ↔ 169	TEST
		170 ↔ 179	CUSTOM
		180 ↔ 199	NO FUNCTION
		200 ↔ 219	RESET
		220 ↔ 235	NO FUNCTION
		236 ↔ 239	DIM0
		240 ↔ 243	DIM1
244 ↔ 247	DIM2		
248 ↔ 251	DIM3		
252 ↔ 255	DIM4		

2.2 FUSE REPLACEMENT

- Remove the safety cap by a screwdriver.
- Fetch the old fuse from safety cap.
- Install a new fuse.
- Install the safety cap.



2.3 POWER CONNECTIONS

- 220~240V: 14 units may be connected in series
- 110~120V: 7 units may be connected in series

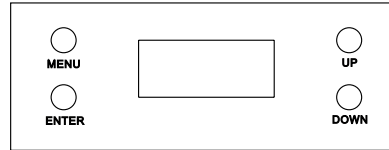
Note:

If the signal cable is over 60m between the DMX512 controller and fixture or between two fixtures, then a DMX signal amplifier is needed as well.

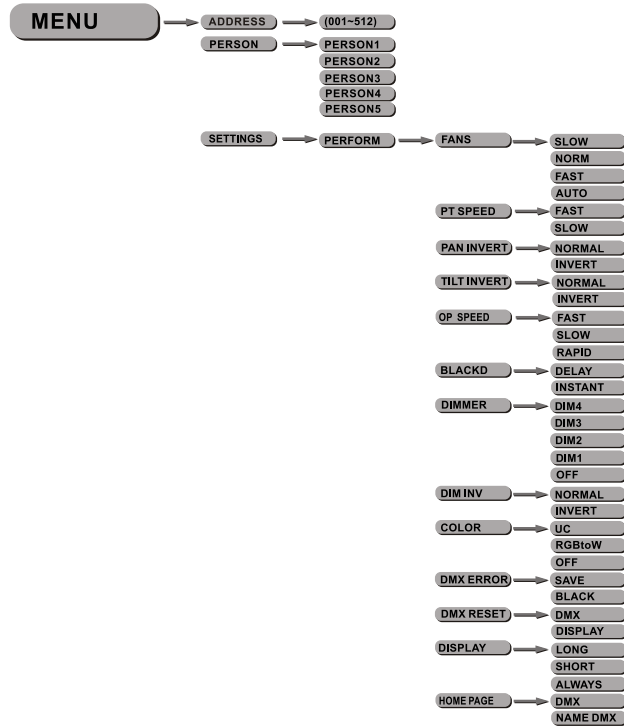
3 DISPLAY PANEL OPERATION

3.1 DISPLAY OPERATION

- ◆ MENU: BACK;
- ◆ ENTER: ENTER OR SAVE;
- ◆ DOWN: DOWN;
- ◆ UP: UP;



3.2 MENU MAP



PERSON2

CHANNEL	FUNCTION	VALUE	EFFECT
1	PAN	000 ⇄ 255	0~540°
2	PAN FINE	000 ⇄ 255	0~3°
3	TILT	000 ⇄ 255	0~270°
4	TILT FINE	000 ⇄ 255	0~3°
5	PAN/TILT SPEED	000 ⇄ 255	From fast to slow
6	RED1	000 ⇄ 255	RED1
7	GREEN1	000 ⇄ 255	GREEN1
8	BLUE1	000 ⇄ 255	BLUE1
9	WHITE1	000 ⇄ 255	WHITE1
10	RED2	000 ⇄ 255	RED2
11	GREEN2	000 ⇄ 255	GREEN2
12	BLUE2	000 ⇄ 255	BLUE2
13	WHITE2	000 ⇄ 255	WHITE2
14	COLOR/ WHITE MACRO	000 ⇄ 005 006 ⇄ 010 011 ⇄ 030 031 ⇄ 050 051 ⇄ 070 071 ⇄ 090 091 ⇄ 110 111 ⇄ 130 131 ⇄ 150 151 ⇄ 170 171 ⇄ 200 201 ⇄ 205 206 ⇄ 210 211 ⇄ 215 216 ⇄ 220 221 ⇄ 225 226 ⇄ 230 231 ⇄ 235 236 ⇄ 240 241 ⇄ 245 246 ⇄ 250 251 ⇄ 255	NO FUCNTION NO FUCNTION RED 100% / GREEN UP / BLUE 0% RED DOWN / GREEN 100% / BLUE 0% RED 0% / GREEN 100% / BLUE UP RED 0% / GREEN DOWN / BLUE 100% RED UP / GREEN 0% / BLUE 100% RED 100%/GREEN 0%/BLUE DOWN RED 100%/GREEN UP/BLUE UP RED DOWN/GREEN DOWN/BLUE 100% RED 100%GREEN 100%/BLUE 100%WHITE 100% WHITE1: 3200K WHITE2: 3400K WHITE3: 4200K WHITE4: 4900K WHITE5: 5600K WHITE6: 5900K WHITE7: 6500K WHITE8: 7200K WHITE9: 8000K WHITE10: 8500K WHITE11: 10000K

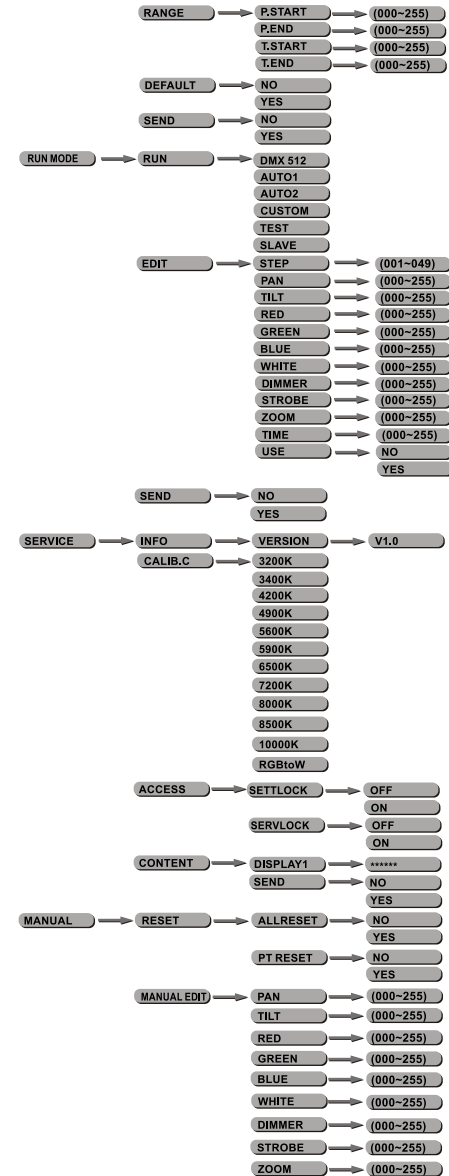
4 USING A DMX512 CONTROLLER

4.1 CHANNEL ASSIGNMENT

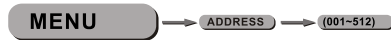
Note: This product have five DMX512 channel configuration:
【PERSON1】 / 【PERSON2】 / 【PERSON3】 【PERSON4】
 and **【PERSON5】** .

PERSON1

CHANNEL	FUNCTION	VALUE	EFFECT
1	PAN	000 ↔ 255	Clockwise rotate 0~540°
2	TILT	000 ↔ 255	Fine control of tilt movement 0~270°
3	RED	000 ↔ 255	RED
4	GREEN	000 ↔ 255	GREEN
5	BLUE	000 ↔ 255	BLUE
6	WHITE	000 ↔ 255	WHITE
7	DIMMER	000 ↔ 255	Dark to light
8	STROBE	000 ↔ 009 010 ↔ 255	NO function 1~20Hz
9	ZOOM	000 ↔ 255	Since the zoom
10	CONTROL	000 ↔ 007 NO FUNCTION 008 ↔ 019 UC/RGBTW 020 ↔ 039 PAN/TILT BLACK ACTIVATED 040 ↔ 059 PAN/TILT BLACK DEACTIVATED 060 ↔ 079 FAN AUTO 080 ↔ 099 FAN SLOW 100 ↔ 119 FAN NORMAL 120 ↔ 139 FAN FAST 140 ↔ 149 AUTO1 150 ↔ 159 AUTO2 160 ↔ 169 TEST 170 ↔ 179 CUSTOM 180 ↔ 199 NO FUNCTION 200 ↔ 219 RESET 220 ↔ 235 NO FUNCTION 236 ↔ 239 DIM0 240 ↔ 243 DIM1 244 ↔ 247 DIM2 248 ↔ 251 DIM3 252 ↔ 255 DIM4	

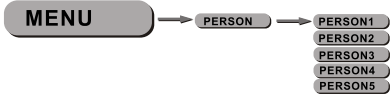


3.3 DMX512 SETTINGS



- Enter the **【DMX】** mode to set the DMX ADDRESS.

3.4 PERSONALITY



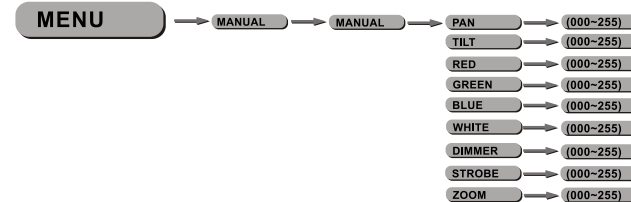
- Enter the **【PERSONALITY】** mode to select DMX mode: **【PERSON1】**, **【PERSON2】**, **【PERSON3】**, **【PERSON4】**, **【PERSON5】**.

3.81 MANUAL



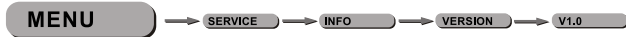
- Select **【RESET】** from the **【MANUAL】** menu
- **【ALL RESET】** menu, select **【YES/NO】** to carry out full fixture reset
- **【PT RESET】** menu, select **【YES/NO】** to carry out PAN/TILT reset

3.82 MANUAL



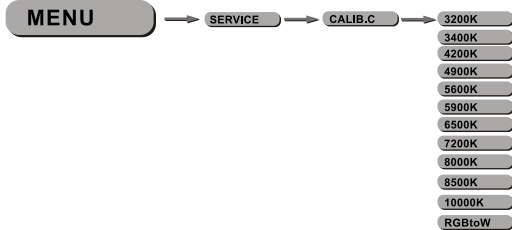
- Select **【MANUAL】** from the **【MANUAL】** menu
- Adjust the values of **【PAN/TILT/RED/GREEN/BLUE/WHITE/DIMMER/STROBE/ZOOM】** in order to carry out manual control

3.71 INFO



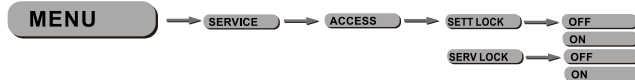
- Select **【INFO】** from the **【Service】** menu in order to view the **【Version】** version UID number

3.72 CALIB



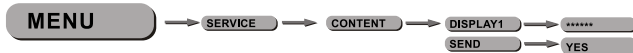
- Enter the **【Calib】** to select white color of different color temperature.
- There are 11 pre-programmed White colors plus RGB TO WHITE and can be edited by using **【Red】**, **【Green】**, **【Blue】** & **【White】**.

3.73 ACCESS



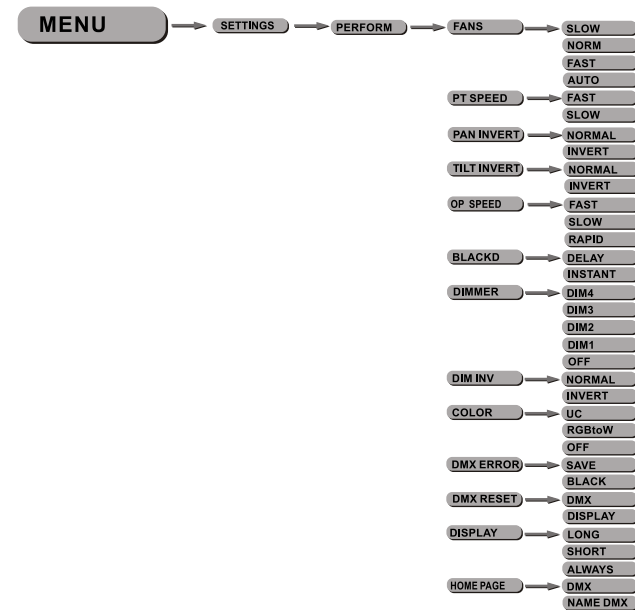
- Select **【ACCESS】** from the **【SERVICE】** menu
- **【SETT LOCK】** menu, select **【OFF/ON】** to enable access to **【SERVICE】** menu
- **【SERV LOCK】** menu, select **【OFF/ON】** to enable access to **【SERVICE】** menu

3.74 CONTENT



- Select **【CONTENT】** from the **【SERVICE】** menu
- **【DISPLAY 1】** menu, edit first line of display content
- **【SEND】** menu, select **【YES】** in order to transfer display content to all fixtures currently connected via data cable

3.51 PERFORM



- Select **【PERFORM】** from the **【SETTINGS】** menu.
- **【FANS】** menu, select **【Slow/Norm/Fast/Auto】** as required fan speed.
- **【PT SPEED】** menu, select **【Slow/Fast】** as required PAN/TILT movement speed.
- **【PAN INVERT】** menu, select **【NORM/INVERT】** for normal/inverted control of the PAN function
- **【TILT INVERT】** menu, select **【NORM/INVERT】** for normal/inverted control of the TILT function
- **【OP SPEED】** menu, select **【SLOW/FAST/RAPID】** optics speed
- **【BLACKD】** menu, select **【INSTANT】** for immediate activation of PAN/TILT blackout when selected using the control channel or **【DELAY】** for 3 second delay before activation.
- **【DIMMER】** menu for selection of **【DIM1/DIM2/DIM3/DIM4/OFF】** special dimming curves
- **【DIM INV】** menu, select **【NORMAL/INVERT】** for normal/inverted control of DIMMING function
- **【COLOR】** is for activate/unactivate the color calibration functions. When **【RGBtoW】** is selected, on RGB = 255,255,255, the color is displayed as calibrated in CAL2 -- RGBW. When **【COLOR】** is set **【OFF】**, on RGB = 255,255,255, the RGB values are not adjusted and the output is most powerful. When **【UC】** is selected, the RGB output are adjusted to a standard preset universal color which balances fixtures from different generations.

- **【DMXERROR】** menu, select **【SAVE】** to maintain last command in case of DMX error or **【BLACK】** for blackout
- **【DMXRESET】** menu, select **【DMX】** to allow remote reset using DMX controller or **【DISPLAY】** for reset only available at on-fixture display
- **【DISPLAY】** menu, select **【LONG/SHORT/ALWAYS】** for length of time for display backlight
- **【HOME PAGE】** menu, select **【DMX】** to display DMX address or **【NAME】** for product/manufacturer name

3.52 INVERT



- Select **【P.start】** / **【P.end】** / **【T.start】** / **【T.end】** to which is from (001-512)

3.53 DEFAULT



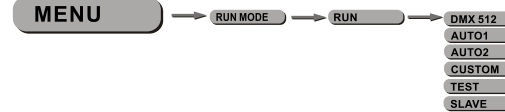
- This functions will reset all setting to the original factory setting

3.54 SEND



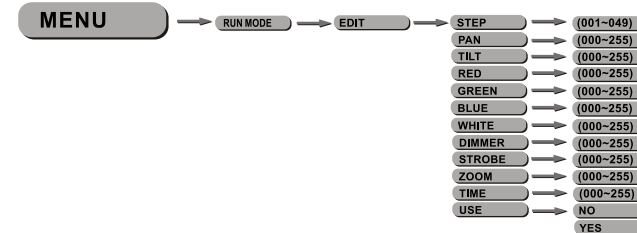
- Select **【SEND】** from the **【SETTINGS】** menu in order to send all settings to all fixtures currently linked via data cable

3.61 RUN



- Enter the **【STAND ALONE】** menu to select from **【AUTO 1/AUTO 2/CUSTOM/TEST/SLAVE】** run modes

3.62 EDIT



- Enter the **【Edit】** mode to edit the custom programs by adjusting the value of **【Step】**, **【Pan】**, **【Tilt】**, **【Red】**, **【Green】**, **【Blue】**, **【White】**, **【Dimmer】**, **【Strobe】**, **【Zoom】**, **【Time】**
- Enter **【Use】** and select **【Yes】** to run the steps user need.

Note: if user want to circulate the created steps, please set the last step 's **【Time】** as 0

For example, there are 3 steps, the setting should be like belowed:

Step 1 **【Time】** = 4 **【Use】** = Yes
 Step 2 **【Time】** = 5 **【Use】** = Yes
 Step 3 **【Time】** = 0 **【Use】** = Yes

3.63 SEND



- Select **【SEND】** from the **【RUN MODE】** menu to send the **【CUSTOM】** program to all fixtures currently linked via data cable