

# Arena Theatre Fresnel

## 7° - 60°

The Arena Theatre Fresnel is a 2.0kW/2.5kW fixture using an 200mm diameter lens. The adjustable cone of light has a soft edge, easily blended with adjacent beams to provide even illumination.

This fully featured fixture is constructed of pressure die-castings and aluminium extrusion.

The Arena Theatre Fresnel offers superior light output, strength and performance at a moderate cost.



### Features

- Wide range of beam angle from 7° to 60°
- Flat even beam with very little spill
- Adjustable yoke balance point
- 'Swing-down' door for easy access to lamp or cleaning
- Choice of GY16 lamp socket for CP72/43 2.0kW lamp or G22 lamp socket for CP91, 2.5kW
- Smooth focus movement from 'posi-slide' focus system, no metal-to-metal contact
- Effective airflow maintains lower body temperature
- Integral micro-switch provides automatic disconnection of power to the fixture when removing the lamp module, preventing a student or technician inserting a lamp into an electrically live fixture

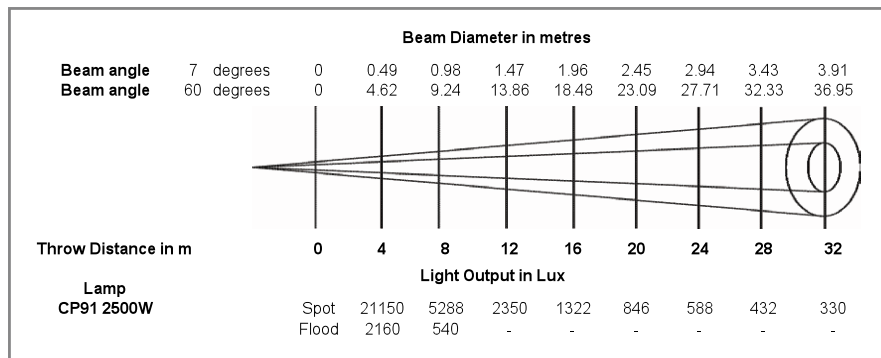
**PHILIPS**  
**Selecon**

### SPECIFICATION SUBMITTAL

CONSULTANT <input type="text"/>	PROJECT NAME: <input type="text"/>	MODEL NUMBER   QUANTITY: <input type="text"/> <input type="text"/> <input type="text"/> <input type="text"/> <input type="text"/> <input type="text"/>
DATE: <input type="text"/>	PROJECT NUMBER: <input type="text"/>	APPROVED BY: <input type="text"/>

## Photometric Data

Tests conducted using a standard CP91, 2500w, 230V, 65,600 lumens lamp.



## Lamps: 220V-240V

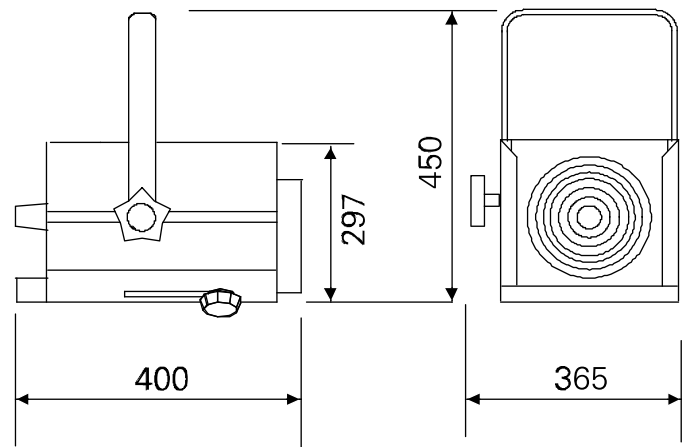
<b>GY16 lamp socket/2000w</b>		
<b>CP72</b>	50,000 lumens	400 hours average life
<b>G22 lamp socket/2500w</b>		
<b>CP91</b>	65,000 lumens	400 hours average life
<b>G22 lamp socket/2000w</b>		
<b>CP92</b>	50,000 lumens	400 hours average life

## Approvals

Fully tested and compliant to CE standards.

## Physical Data

<b>Weight:</b>	2.0kW unit including colour frame–10.04kg 2.5kW unit including colour frame–10.30kg
<b>Packed Weight:</b>	2.0kW unit including colour frame–12.17kg 2.5kW unit including colour frame–12.42kg
<b>Carton Size:</b>	310 x 375 x 520mm
<b>Carton Size Cubic:</b>	0.06
<b>Colour Frame Size:</b>	245mm x 245mm
<b>Included:</b>	1x colour frame, 1x M12 nut and bolt set, and instruction leaflet.



## Ordering Information

### Cat No Description

<b>10SF2020GY16</b>	Arena Theatre Fresnel 2.0kW	<b>20SM24</b>	Lens safety mesh
<b>10SF2025G22</b>	Arena Theatre Fresnel 2.5kW	<b>20HC</b>	Suspension hookclamp
<b>20BDSF2020</b>	4 way Barndoor	<b>20SC</b>	Safety bond

## Philips Selecon

### Los Angeles

6603 Darin Way  
Cypress, CA 90630  
Tel: (714) 230-8200  
Fax: (714) 899-0042

### New York

267 5th Ave, 4th Floor  
New York, NY 10016  
Tel: (212) 213-8219  
Fax: (212) 532-2593

### Dallas

10911 Petal Street  
Dallas, TX 75238  
Tel: (214) 647-7880  
Fax: (214) 647-8030

### www.seleconlight.com

© Philips Group 2009  
All rights reserved.  
The Company reserves the right to make any variation in design or construction to the equipment described. E&OE

### Auckland

19-21 Kawana Street  
Northcote, Auckland 0627  
New Zealand  
Tel: + 64 9 481 0100  
Fax: + 64 9 481 0101

### Asia

Room 6-10,  
20/F Delta House  
3 On Yiu Street  
Shatin, N.T. Hong Kong  
Tel: + 852-2757-3033  
Fax: + 852-2757-1767

### Europe

European Service & Distribution Centre  
Marssteden 152  
Enschede 7547 TD  
The Netherlands  
Tel: +31-53-4500424  
Fax: +31-53-4500425

062409EU