



EUROTRUSS

L I F T E R S

FLS-070

Front load lifter

Front Loader Sound Series
500 kg / 7,0 m



English - User manual
Deutsch - Bedienungsanleitung
Español - Manual de Usuario



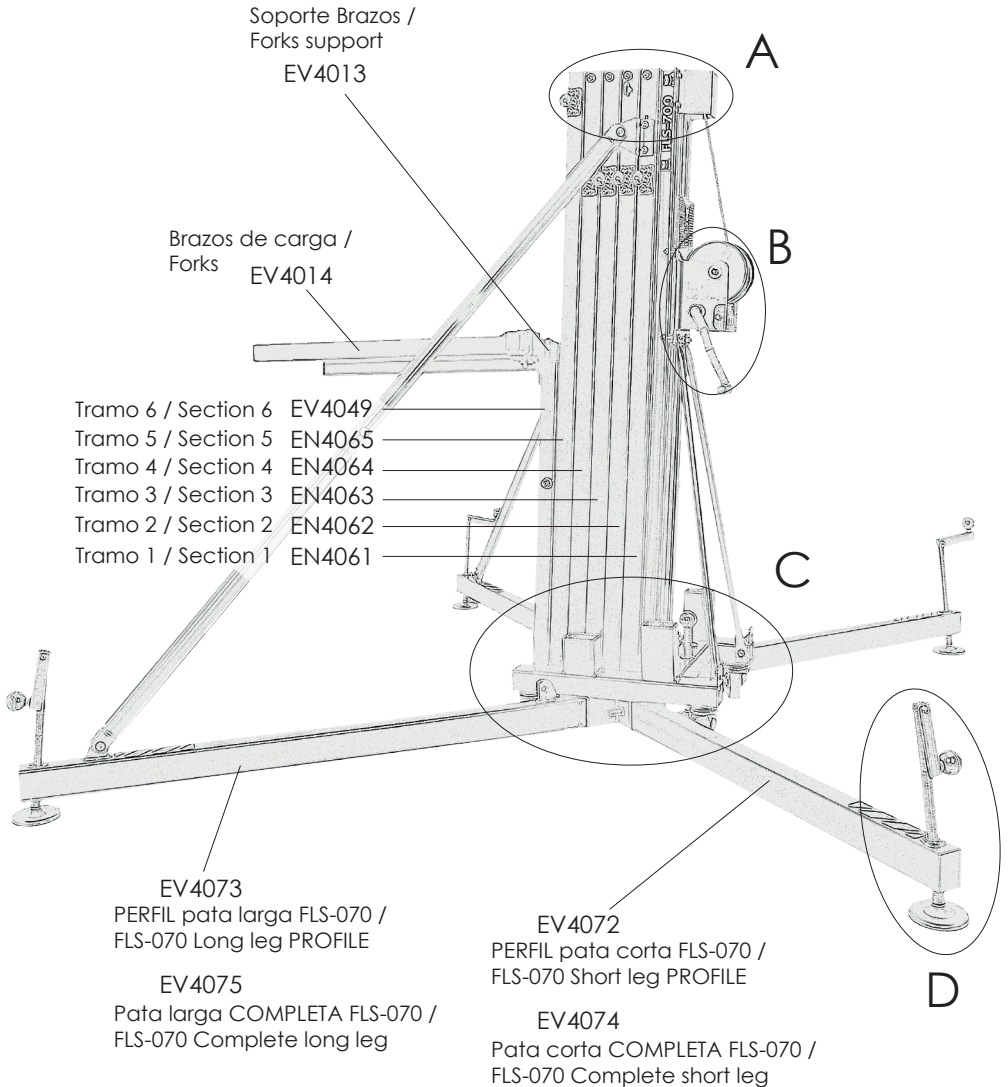
FLS-070

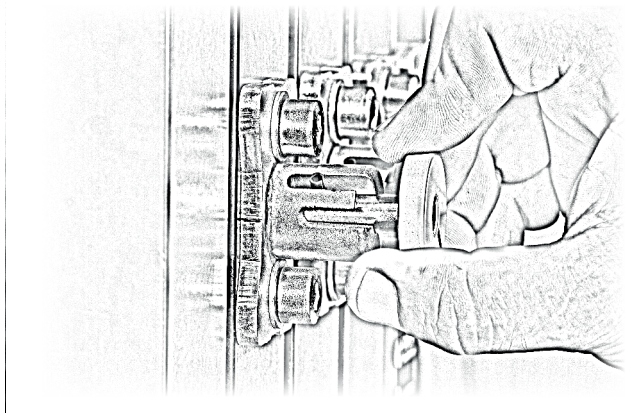
500 kg (1102.3 lb)

7.00 m (22.96')

FLS-070

- A** - Reenvios de poleas / Pulleys sets
- B** - Set piezas cabrestante / Winch set
- C** - Set piezas de la base / Base set
- D** - Set del estabilizador / Stabilizer set





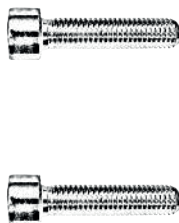
LIFT
ELEVAR

LOCK
BLOQUEAR

WARNING!
NEVER LIFT
THE TOWER
WHEN
LOCKED

ATENCIÓN!
NUNCA ELEV
LA TORRE
CUANDO ESTÉ
BLOQUEADA

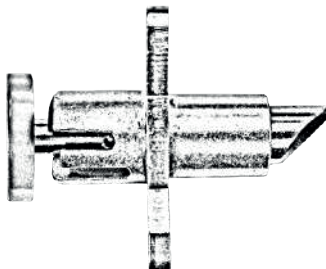
Tornillo /
Screw
EK1029



Arandela /
Washer
EK8001



Gatillo AET /
AET Lock
EK2185



Taco Gatillo/
Lock rest
EK2138



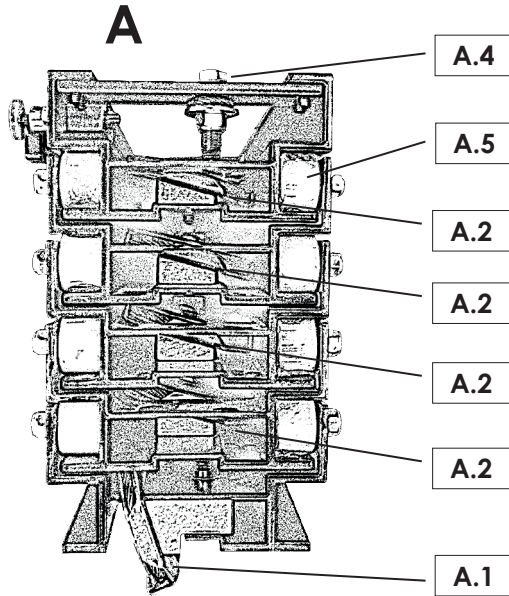
EK2156



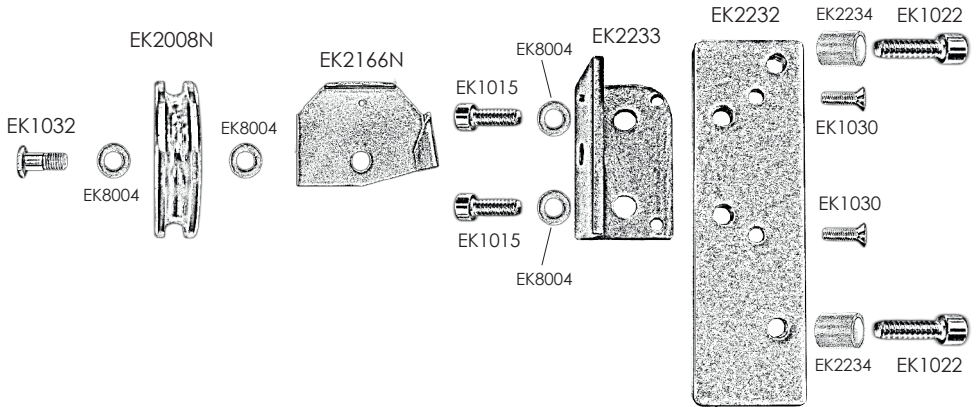
EK2157



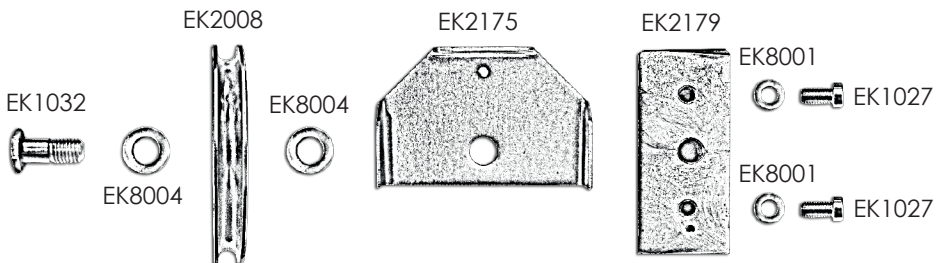
Vista en Planta superior /
Top view



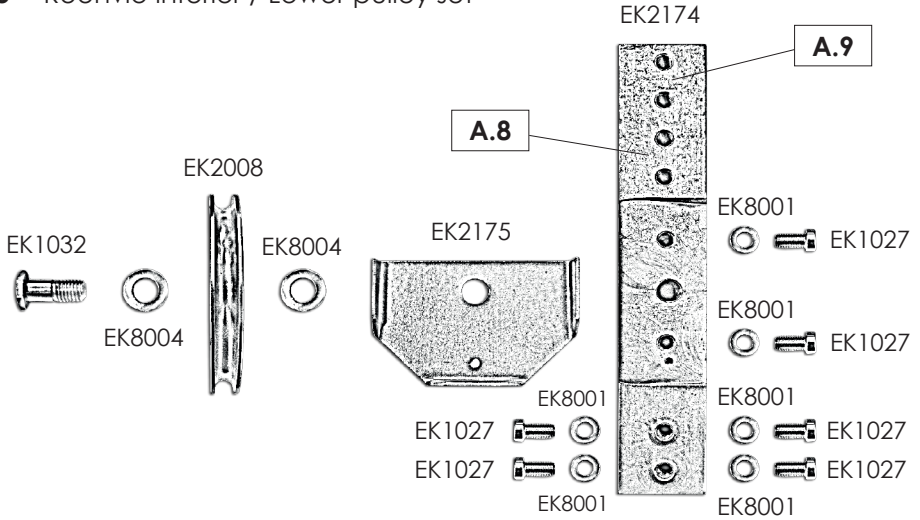
A.1 - Reenvío superior Tramo 1 Base / Upper pulley set on Section 1 Base



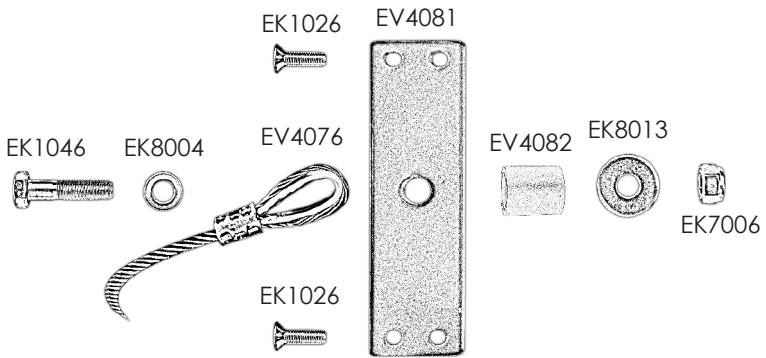
A.2 - Reenvío superior Tramos 2 a 5/ Upper pulley set on sections 2 to 5



A.3 - Reenvío inferior / Lower pulley set



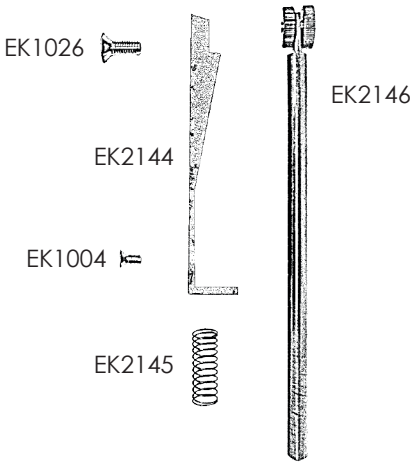
A.4 - Fijación final de cable / Cable fixation



A.5 - Rodillo Nylon / Nylon roller



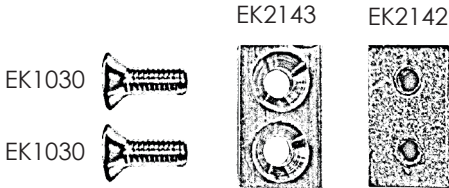
A.6 - Freno de Inercia / Inertial break



A.7 - Tornillo fijación soporte brazos / Fixation screw for the forks support

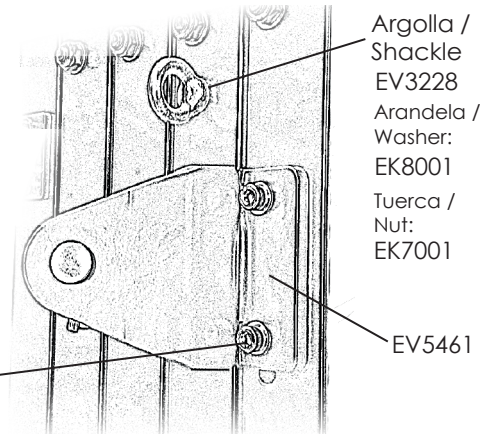
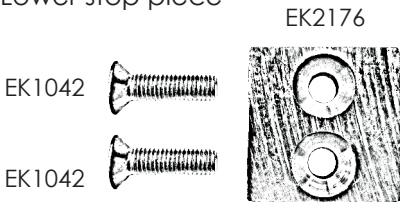


A.8 - Taco tope barras superior / Upper stop piece

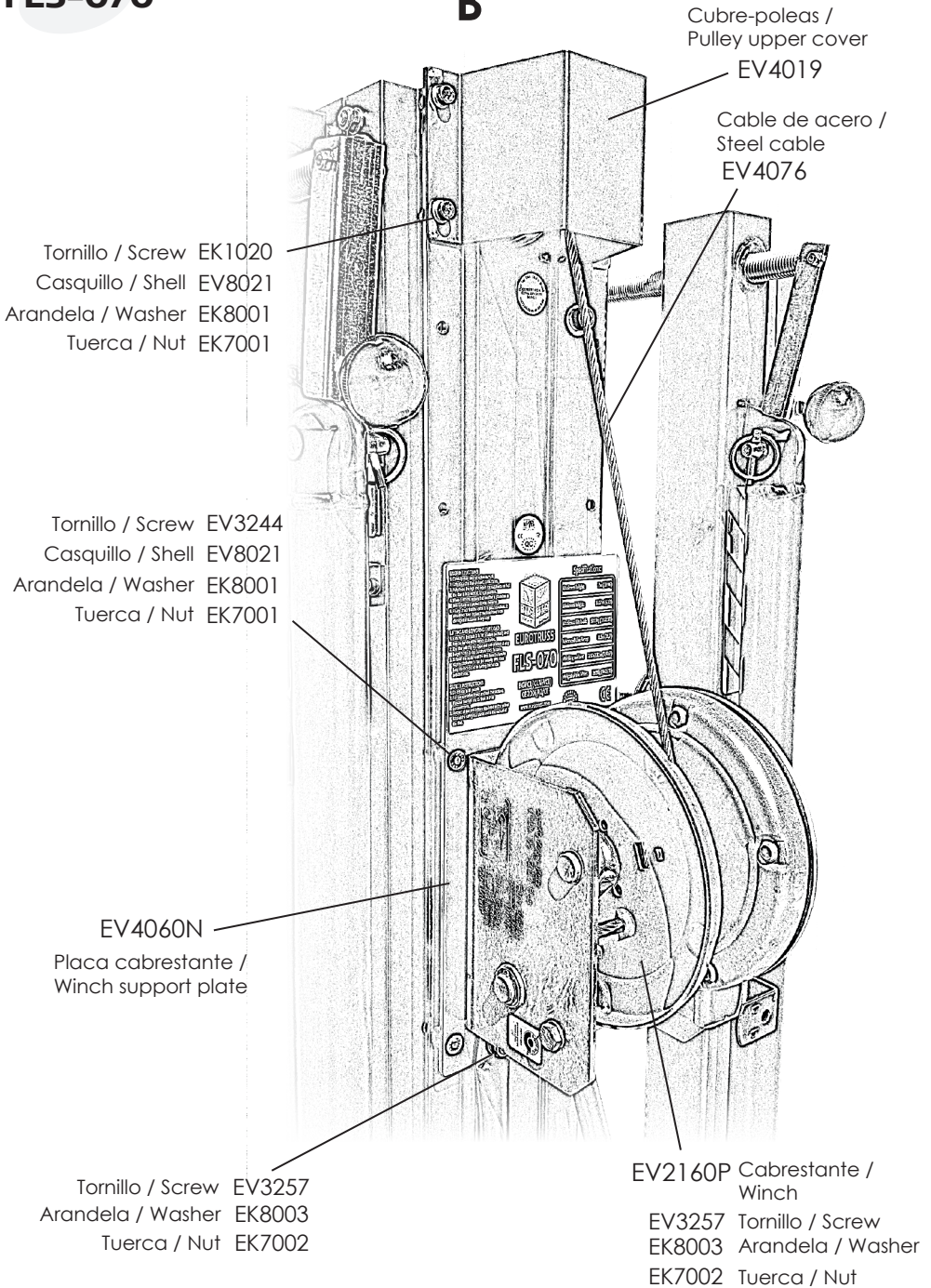


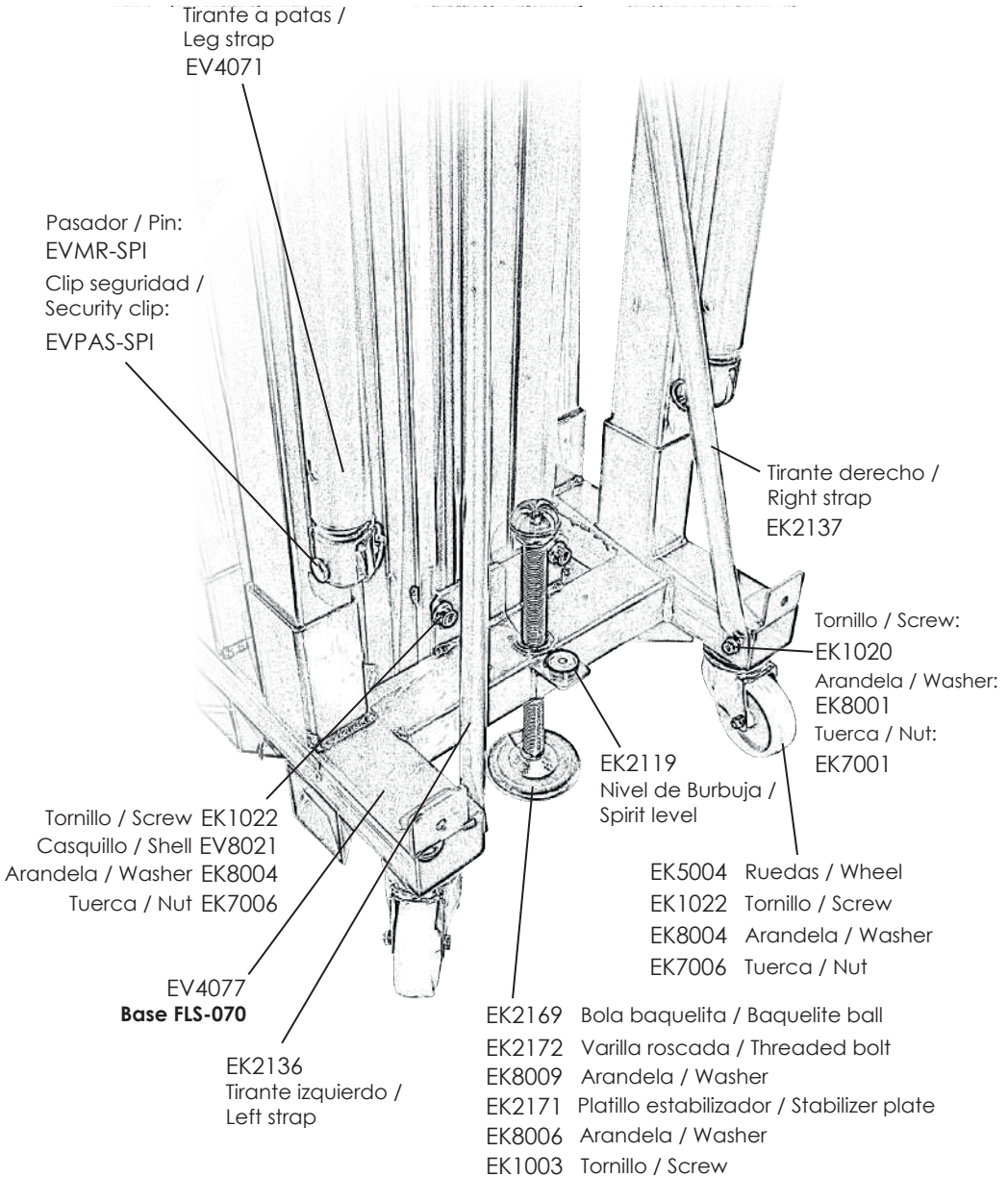
A.10 - Orejeta tirante patas / Leg strap support

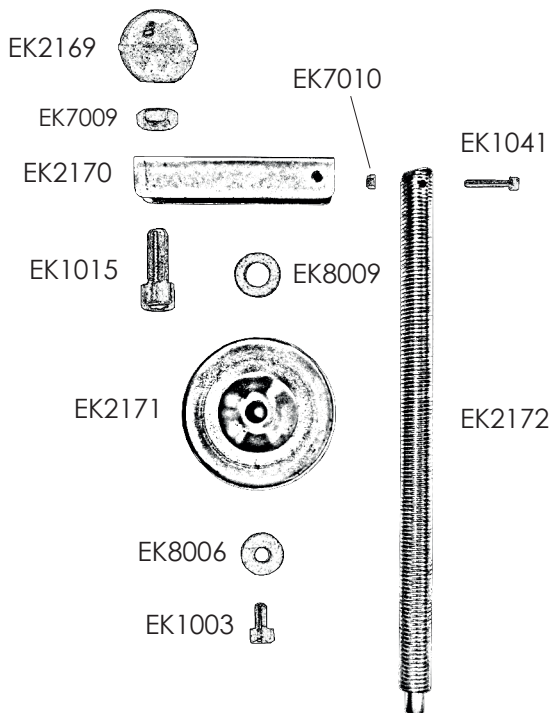
A.9 - Taco tope barras inferior / Lower stop piece



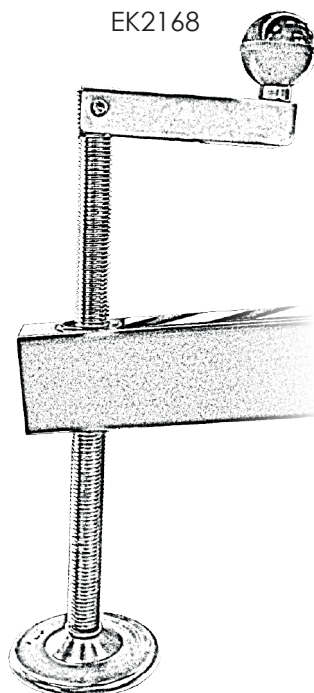
Tornillo / Screw EK1020
 Arandela / Washer EK8001
 Pieza sujeción orejeta / EV5466
 Threaded support piece







Estabilizador completo /
Complete stabilizer kit



Code	Descripción (ES)	Description (EN)
EK1003	Tornillo allen M8x16	Allen screw M8x16
EK1004	Tornillo cónico M5x12	Conic screw M5x12
EK1015	Tornillo allen M12x25	Allen screw M12x25
EK1020	Tornillo allen M8x25	Allen screw M8x25
EK1022	Tornillo allen M12x40	Allen screw M12x40
EK1026	Tornillo cónico M8x20	Conic screw M8x20
EK1027	Tornillo especial M8x16	Special screw M8x16
EK1029	Tornillo allen M8x35	Allen screw M8x35
EK1030	Tornillo cónico M8x25	Conic screw M8x25
EK1032	Tornillo M12 especial cabeza plana	Special flat M12 screw
EK1033	Tornillo rodillo nylon	Nylon runner screw
EK1041	Tornillo allen M6x40	Allen screw M6x40
EK1042	Tornillo cónico M8x30	Conic screw M8x30
EK1046	Tornillo especial M12x45	Special Screw M12x45
EK2008	Polea Ø90	Pulley Ø90
EK2008N	Polea Ø90 ancha	Wide pulley Ø90
EK2119	Nivel de burbuja	Spirit level indicator
EK2136 (B)	Tirante largo Izquierdo (B Negro)	Long left strut (B Black)
EK2137 (B)	Tirante largo Derecho (B Negro)	Long right strut (B Black)
EK2138	Macizo aluminio sujeción Gatillo AET	Aluminium piece AET Lock rest
EK2142	Pletina aluminio roscada tope tramos	Aluminium stop threaded piece
EK2143	Pletina aluminio avellanada tope	Aluminium stop countersunk piece
EK2144	Pieza aluminio rampa freno inercia	Inertia brake aluminium ramp
EK2145	Muelle freno inercia	Inertia brake spring
EK2146	Varilla y discos freno de inercia	Inertia brake bar
EK2156	Pasador Ø10	Ø10 Pin
EK2157	Clip "R"	"R" Shape clip
EV2160P	Cabrestante Optima 1150kg	1150kg Optima Winch
EK2166N	Cubre cable polea entrada Ø90 ancha	Cable entry wide pulley cover Ø90
EK2168	Estabilizador completo FLS-070	Complete FLS-070 stabilizer
EK2169	Bola grande de estabilizador	Big stabilizer ball
EK2170	Manivela grande estabilizador	Big stabilizer handle
EK2171	Plato grande estabilizador	Big stabilizer plate

Code	Descripción (ES)	Description (EN)
EK2172	Esparrago estabilizador M24x330mm	Threaded bolt M24x330mm
EK2174	Macizo aluminio porta-poleas inferior	Lower pulley aluminium support piece
EK2175	Cubre cable polea Ø90	Pulley cover Ø90
EK2176	Pletina aluminio tope ancho	Large aluminium stop piece
EK2177	Rodillo nylon grande	Large nylon roller
EK2179	Macizo aluminio porta-poleas superior	Upper pulley aluminium support piece
EK2185	Gatillo AET Dos posiciones	AET Lock dual position
EK2232 (B)	Pletina acero porta-poleas (B Negro)	Steel plate 1st section pulley (B Black)
EK2233 (B)	Ángulo de acero porta-poleas (B Negro)	Steel angle 1st section pulley (B Black)
EK2234	Casquillo aluminio Ø25x3 Long: 29mm	Aluminium shell Ø25x3mm
EV3228	Argolla anclaje para viento	Anchor points for slings
EV3244	Tornillo cónico M8x40	M8x40 Conic screw
EV3257	Tornillo cónico M10x25	M10x25 Conic screw
EV4013 (B)	Carro acero soporte brazos de carga	Forks support (B Black)
EV4014 (B)	Brazos de carga (B Negro)	Forks (B Black)
EV4019 (B)	Chapa plegada cobre-polea (B Negro)	Pulley protector (B Black)
EV4049 (B)	Carro aluminio FLS-070 (B Negro)	Lifting carriage FLS-070 (B Black)
EV4060N (B)	Placa cabrestante acero (B Negro)	Winch fixation plate (B Black)
EN4061 (B)	<i>Tramo Base 1 FLS-070 (B Negro)</i>	<i>Base profile 1 FLS-070 (B Black)</i>
EN4062 (B)	<i>Tramo 2 FLS-070 (B Negro)</i>	<i>Profile 2 FLS-070 (B Black)</i>
EN4063 (B)	<i>Tramo 3 FLS-070 (B Negro)</i>	<i>Profile 3 FLS-070 (B Black)</i>
EN4064 (B)	<i>Tramo 4 FLS-070 (B Negro)</i>	<i>Profile 4 FLS-070 (B Black)</i>
EN4065 (B)	<i>Tramo 5 FLS-070 (B Negro)</i>	<i>Profile 5 FLS-070 (B Black)</i>
EV4071 (B)	Tirante telescópico refuerzo (B Negro)	Telescopic reinforcement strut (B Black)
EV4072 (B)	Perfil pata corta (B Negro)	Short leg profile (B Black)
EV4073 (B)	Perfil pata larga (B Negro)	Long leg profile (B Black)
EV4074 (B)	Pata corta completa (B Negro)	Complete short leg (B Black)
EV4075 (B)	Pata larga completa (B Negro)	Complete long leg (B Black)
EV4076	Cable acero Ø6mm x19m	Steel cable Ø6mm x19m
EV4077 (B)	Base de acero FLS-070 (B Negro)	FLS-070 Steel base (B Black)
EV4081 (B)	Pletina acero fijación cable (B Negro)	Cable fixation plate (B Black)
EV4082	Casquillo separador acero Ø30x15mm	Steel shell cable fixation

Code	Descripción (ES)	Description (EN)
EK5004	Rueda blanca Ø100 soporte zincado	White wheel Ø100 zincked support
EV5461 (B)	Orejeta fijación tirante (B Negro)	Fixation piece for strut (B Black)
EV5466	Pieza roscada orejeta fijación tirante	Threaded piece for strut's fixation
EK7001	Tuerca M8 autoblocante	Auto-block nut M8
EK7002	Tuerca M10 autoblocante	Auto-block nut M10
EK7006	Tuerca M12 autoblocante	Auto-block nut M12
EK7009	Tuerca M12	Nut M12
EK7010	Tuerca M6 autoblocante	Auto-block nut M6
EV7873	Tornillo allen M14x235mm	M14x235mm Allen screw
EK8001	Arandela M8	M8 washer
EK8003	Arandela M10	M10 washer
EK8004	Arandela M12	M12 washer
EK8006	Arandela M8 ancha	Wide M8 washer
EK8009	Arandela M14	M14 washer
EK8013	Arandela M12 ancha	Wide M12 washer
EV8021 (B)	Casquillo aluminio separador placa base	Base and winch support shell
EVMR-SPI	Anilla clip de seguridad	Ring safety clip
EVPAS-SPI	Pasador de acero Ø16x65,5mm	Fastener steel pin Ø16 x 65.5mm

Operating Instructions - ENGLISH

1 - INTRODUCTION.

Dear user. Thank you purchasing your Eurotruss FLS-070 lifter. We hope you will be very satisfied with it.

This manual has been written so that you can understand how to effectively use the lift and most importantly, so that you can use it safely. It is important that you fully read the manual and follow the instructions carefully before using your lift. All Eurotruss lifts undergo a very strict quality control process during their manufacture.

So that your lift always works properly please only purchase original Eurotruss parts from an authorized distributor or dealer. The user waives all warranty rights if using parts other than Eurotruss or if the product is manipulated in any way by an unauthorized third party.

When requesting parts, please refer to the diagrams of this manual and quote the serial number and year of manufacture located on your lifter.

2 - TECHNICAL SPECIFICATIONS.

Eurotruss lifter, model FLS-070 has been designed for vertically lifting lighting, trussing etc in the Professional sound and light sector. For various Eurotruss supports available please refer to our website ***www.eurotruss.com*** or catalogue.

2.1 - Max. load: 500 kg (1102.3 lb)

2.2 - Min. load: 25 kg (55 lb)

2.3 - Max. height: 7.00 m (22.96')

2.4 - Folded height: 1.87 m (6.13')

2.5 - Transport surface: 0.55 x 0.68 x 1.87m (1.8' x 2.23' x 6.13').

2.6 - Shipping dimension: 0.56x0.69x1.88m (1.84' x 2.26' x 6.17').

2.7 - Work surface: 2.40 x 2.00 m (7.9' x 6.6')

2.8 - Weight: 209 kg (460.7 lb)

2.9 - Winch: 1150 kg certified

2.10 - Cable: Steel DIN 3060. Tensile strength 180 kg/mm². Anti-torsion & anti-corrosion
Ø6 mm cable diameter.

2.11 - Construction material: Aluminium profiles 6082T6.

Operating Instructions - ENGLISH

- 2.12 - Antirust protection priming paint bathed black steel, covered with cured polyester dust.
- 2.13 - Automatic Eurotruss Trigger (AET) on each section which automatically slots in to the sections during elevation, locking them in place.
- 2.14 - Anchor of the legs by safety catches.
- 2.15 - Adjustable stabilizer plates in the legs with nonslip rubber base support.
- 2.16 - Spirit level for vertical alignment.
- 2.17 - Swivel wheels for transporting the lifter to its working position.

3 - SAFETY GUIDELINE.

- 3.1 - Situate the tower on a solid and flat surface.
- 3.2 - Check that the legs are fully inserted and secured in to their housing with the safety locks.
- 3.3 - Ensure that the lifter is in a vertical position and use the spirit level located on the base profile to check. If necessary, adjust its alignment with the plates by turning the handle in the appropriate direction.
- 3.4 - Check that the tower is locked in its working position with the safety lock.
- 3.5 - When used outdoors, place the tower on a hard surface and if necessary secure it against excess wind force via cable braces.
- 3.6 - Do not use ladders nor lean them against the lifter.
- 3.7 - Be careful with any cables, prominent objects etc. placed above the tower.
- 3.8 - Do not stand underneath the load.
- 3.9 - Do not move the tower when it is elevated or loaded.
- 3.10 - Before using the tower, check the condition of the cable. This must be free of cuts and frays. Never use damaged cables.
- 3.11 - Never dismount the winch handle or any element of the winch under any circumstance.
- 3.12 - Once the tower is set-up in its working position we recommended the winch handle is locked to avoid anyone interfering with it.
- 3.13 - The minimum load for a safe operation of the brake is 25 kg. The brake will not function without this minimum load.
- 3.14 - Do not grease or lubricate the brake mechanism of the winch.
- 3.15 - This lift cannot lift human beings.
- 3.16 - For transportation it is necessary to retract all profiles and lock them with the corresponding safety lock.

Operating Instructions - ENGLISH

4 - OPERATION.

4.1 - Place the tower on a flat and solid surface where it is going to be used.

4.2 - Remove the legs from their transport supports and insert them in their working position. Check that they are fully inserted and fixed with their safety lock.

4.3 - Ensure that the lifter is in a vertical position and use the spirit level located on the base profile to check the bubble is centred. If necessary, adjust its alignment with the stabilizer plates by turning the handle in the appropriate direction.

4.4 - Change the forks to their horizontal working position and fix them with the fastener pins, place the load on the forks using a Eurotruss Accessory if necessary, and ensure that the tower is only used to lift loads vertically. The minimum load is 25 kg.

NEVER RAISE THE TOWER SECTIONS WITHOUT LOAD.

4.5 - Elevation:

4.5.1 - Ensure that all the AET locks are in the BLOCK position.

4.5.2 - Change the **n°1 AET** lock to the LIFT position.

4.5.3 - Turn the handle clockwise to raise the lifting carriage of the tower.

4.5.4 - When you have reached the desired height, fix the **n°1 AET** lock in by turning the handle anti-clockwise. Change the **n°1 AET** lock to the BLOCK position.

4.5.5 - Change the **n°2 AET** lock to the LIFT position.

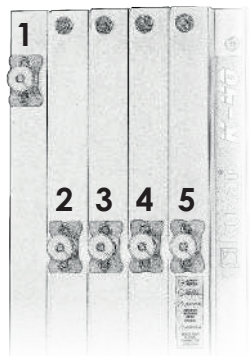
4.5.6 - Turn the handle clockwise to rise the next section of the tower.

4.5.7 - When you have reached the desired height, fix the **n°2 AET** lock in by turning the handle anti-clockwise.

Check that the **n°2 AET** lock has introduced in to its corresponding hole.

And change the **n°2 AET** lock to the BLOCK position.

4.5.8 - Repeat these steps to raise all the sections of the tower, changing all the **AET** locks left orderly to the LIFT position and turning the handle clockwise.



Operating Instructions - ENGLISH

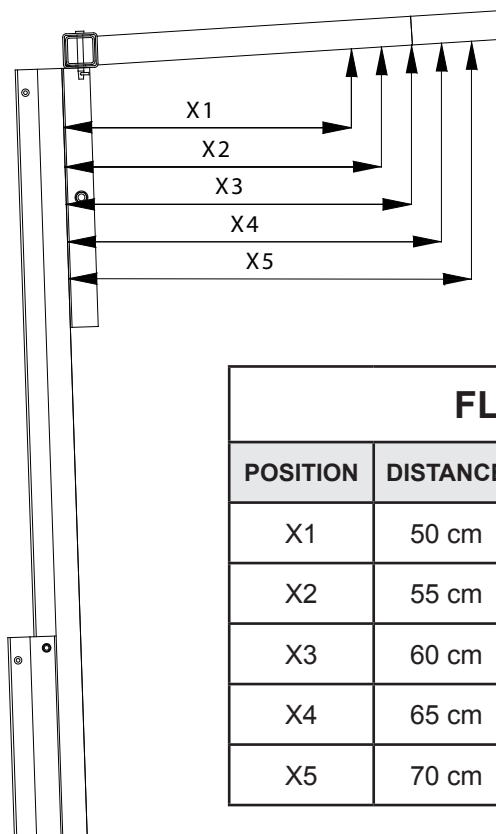
WARNING: The tower can be left in any intermediate height if necessary. Just make sure that the **AET** locks are always fixed and introduced. In the unlikely event of cable breaking the **AET** locks will ensure that the tower stays **UP and SECURE**.

Your security is our main concern.

IMPORTANT - HOW TO PLACE THE LOAD ON THE LIFTER

Always load as close to the tower as possible.

Follow the instruction of the next picture to place the load correctly, the diagram shows the load out of the gravity center, with distances to the lifting carriage at a maximum lifting. Notice that the maximum load diminishes according to the distance from the body of the tower.



FLS-070			
POSITION	DISTANCE	LOAD	PERCENTAGE
X1	50 cm	500 kg	100%
X2	55 cm	460 kg	92%
X3	60 cm	420 kg	84%
X4	65 cm	380 kg	76%
X5	70 cm	340 kg	68%

Operating Instructions - ENGLISH

4.6 - Descent:

4.6.1 - To fold the tower down, first, turn the handle of the winch clockwise to tighten the steel cable.

4.6.2 - Once the cable is tense, pull out the **n°5 AET** lock, maintain it always in LIFT position but keep it out.

4.6.3 - While you keep the AET lock out, turn the handle anti-clockwise to bring down the corresponding section of the tower.

4.6.4 - Once the section has been brought down, release the **n°5 AET** lock, and pull out the **n°4 AET** lock.

4.6.5 - While you keep the next AET lock out, turn the handle anti-clockwise to bring down the next section.

4.6.6 - Keep repeating these steps, pulling out all the AET locks left in order while you turn the handle anti-clockwise.

4.6.7 - Once the tower has been folded down, place all the AET locks in the BLOCK position.

4.7 - Transport:

Turn the handle of the stabilizers to release tension on the legs in order to pull them out. Then, place the legs in their transport compartments located at the base of the tower. Pull out the forks and place them in vertical position. The tower will be ready for transport.

5 - MAINTENANCE.

5.1 - All cables must be checked regularly. Faulty cables must be replaced immediately. Do not use the lifter with faulty cables as it is potentially very dangerous. Only use DIN 3060 cables, supplied from an authorised dealer.

5.2 - The lifter is delivered ex factory completely greased. Depending on its mechanical Use though, we recommend that the crown wheel of the winch, the pads & bushings of the drive shaft, the handle thread and the profiles of the lift are periodically greased.

ATTENTION:

Do not apply oil or grease to the brake mechanism. The brake discs have been pre-greased with a special heat and pressure resistant grease. To avoid malfunction to the winch

Operating Instructions - ENGLISH

brake, no other products must be used except the original provided by the company. It is not necessary to grease the brake discs.

5.3 - Your lifter should be inspected at least once a year by a specialized / authorized service centre.

5.4 - Only original Eurotruss spare parts must be used to guarantee the reliability and operational safety of your lifter. The user shall lose all warranty claims if he uses anything other than original spare parts or modifies this product in any way.

5.5 - In case a spare part is required please indicate the reference number which can be found in the spare parts list at the back of this manual.

6 - WARRANTY.

All Eurotruss lifts come with 2 years warranty. This warranty period is from the date of purchase. Eurotruss will repair any defect product caused by either faulty materials or poor workmanship free of charge within this period as long as the parts are fitted by an authorized Eurotruss dealer. Should the product have been manipulated in any way or a repair attempted by an unauthorized dealer the warranty will be invalid. This warranty does not cover damage occurred by improper use.

7 - CERTIFICATIONS

BGV-C1

BGG-912

EC Conformity Declaration pursuant to the

EC Machinery Directives 89/392/CE and

98/37/CE: Manual lifters

Eurotruss reserves the right to make any modification/alteration to the lift without prior notice. Any modification/alteration would be an innovation, intended to improve the product.



EUROTRUSS

Eurotruss BV
Castorweg 2 - 8938BE Leeuwarden
The Netherlands
+31(0)58 215 88 88
info@eurotruss.com / www.eurotruss.com