

**TITAN 172-W** is a 72x15 watts Warm White LED city wash. It has high light efficiency, high illumination, high performance, and stability, it is realizable to achieve the perfect color interpretation and ultra-long light casting distance. Optional wireless DMX512 control, it provides diverse lighting solutions for a variety of large outdoor lighting projects, an ideal lighting fixture for towers, bridges, large venues, integrated commercial building, and other large occasions.

**SOURCE** Light source: 72x15 watts Warm White  
LED life expectancy: 50,000 Hrs  
Peak Intensity: 1884960 cd (4°)

**OPTICAL SYSTEM** Optics: 4°, 10°, 20°  
Light output: 20,000 Lux @2m @ 4°

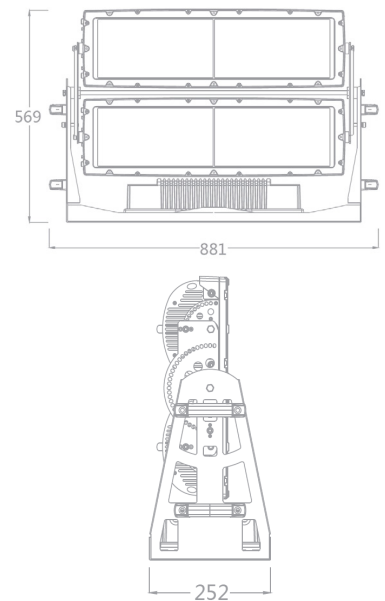
**CONTROL & PROGRAMMING** Control Protocols: DMX  
DMX control channels: 0-100% dimming  
Controllable sections: 2  
Color: Cool White

**ELECTRICAL** Input Voltage: AC 100-240V, 50/60Hz  
Max Power: 1200 W  
Power Factor: > 0.9

**CONNECTIONS** Power connection: 3m cable (input only)  
Data connection: 3m cable (input + output)

**PHYSICAL** Dimensions: 881x252x569 mm  
Net Weight: 46 kg  
Color: Off - white (Gray, Black Optional)  
Housing: Die-cast aluminum  
Security: Anti-thunder shock protection design  
IP Rating: 66  
Operation temperature: - 40°C~45°C (operating) /  
- 20°C~45°C (startup)

## Dimensions



## Luminous Diagram

