



SPX LED WW



The SPX LED WW uses the latest energy efficient warm white light LED engine to produce an output equivalent to that of a 575W fixture. Its beam is crisp and precise, directing light only where it is intended: thanks to the SPX filter frame system there is zero light leakage, so no additional masking is required. With reduced fan noise, the SPX LED WW is also quieter in operation than comparable LED fixtures.

The SPX LED WW uses the same proven, high-precision, high-performance gate and lens sets as the renowned Selecon SPX Profile fixtures, with secure locking shutters, while other lens sets can be used with the universal lens tube adapter.

With the ability to be dimmed either via DMX or from a conventional forward phase dimmer, the SPX LED WW provides a smooth, stepless fade right down to zero, giving it the perfect dimming credentials for performance lighting.

Targeted primarily at applications such as education, houses of worship and themed environments, the SPX LED WW has been designed to meet the requirements of consultants and specifiers looking for quality, efficient and reliable fixtures to serve as straightforward replacements for conventional profiles.



SPX LED WW

FEATURES

- Mains or DMX dimming control with 115V or 230V operating mode selection switch.
- Delivers high output warm white light equivalent to, or greater than a 575 watt tungsten fixed or variable angle profile fixture.
- Interchangeable lens tubes, from 14, 19, 26, 36 and 50 degrees fixed beam angles or 15-35 and 25-50 zoom beam angles.
- Homogenized fully mixed white output light without creating multiple shadows.
- 50,000 hours of life expectancy.
- Out of the box, it may be controlled by simple DMX controllers such as the Philips Strand Lighting 100+ series or similar consoles.
- Advanced modes of operation are also available for more advanced users and consoles.
- Innovative control options for display lighting application where DMX is not available.
- Fixed correlated colour temperature (CCT) for maximum light output.
- Constant CCT balance down to very low light levels irrespective of intensity setting.
- 5Pin XLR connectors for DMX512 Input and Output with 8 or 16-bit control resolution.
- RDM setup of fixture allows device settings to be configured remotely.
- No ultra-violet (wavelengths of less than 400nm) – for UVA, B or C or the Infrared spectrum (wavelengths of more than 775nm).
- Luminaire color: black
- PowerCON True1 power input connector.
- cETLus listed, C-Tick, and CE marked (IP20 Rated)

BENEFITS

- Ability to be dimmed from a conventional forward phase dimmer
- High light output equivalent to a 575W ellipsoidal profile
- Less fan noise in operation
- Zero light leakage
- Selecon “box style” gel holder
- Use of SPX lens sets
- Ability to use other lenses via the universal lens tube adapter
- Step less fade to zero
- Simple connection with PowerCon True 1 and XLR connectors



SPX LED WW

SOURCE

Type	LED
Wattage (230V)	295W, 1.28A, Calculated at 230V
Wattage (120V)	295W, 2.46A Calculated at 120V

OPTICAL PERFORMANCE

Output lumens	9170 (14°)
	9187 (19°)
	9083 (26°)
	9291 (36°)
	9489 (50°)
	8506 (15-35°)
	8806 (25-50°)
CRI (Ra)	>=80
(R9)	>=6
TM30-15	R _r 82 R _g 95
TLCI	68
CIECAM02UCS	82
Color temperature	2950K
D_{uv}	-0.0015
Color coordinates	u' 0.2506 v' 0.5239
TV flicker free	Yes

BEAM

Beam angle	14° lens tube option	
	19° lens tube option	
	26° lens tube option	
	36° lens tube option	
	50° lens tube option	
	15-35° zoom lens tube option	
	25-50° zoom lens tube option	
Typical usable distance	m	ft
	8-28	26-92
Lens tubes	Fixed: 14° / 19° / 26° / 36° / 50°	
	Zoomspots: 15-35° / 25-50°	



SPX LED WW

IMAGING

Shutters	4 rotatable
Main dimmable	Full dimming from 0% to 100% (will work best with a dimmer profile)
Controls	Mains dimmable or DMX512-A / RDM
Control modes	Mains dimming
	Choice of 8 bit or 16 bit DMX control modes

ACCESSORIES

Accessories	SPX lens tubes
	Universal lens tube adapter
	Rotatable gobo holder - steel gobos
	Rotatable gobo holder - glass gobos
	Iris

COOLING

Cooling	Fan
Cooling control	Quiet / normal / auto

DATA CONNECTIONS

Connectors	PowerCon True 1 mains Input, 5 Pin XLR male DMX In, 5 Pin XLR female DMX Out on rear of fixture
-------------------	---

POWER

Operating voltage	120 / 240VAC (dimmable) 100-240VAC (auto-ranging)	
Frequency	50/60Hz	
Current draw	120VAC	230VAC
	2.46A	1.3A
Total power consumption	295W	
Quiescent load	20W standby mode <500mW power save mode	

ENVIRONMENT

	°C	°F
Operating temperature	0-40°	32-104°

PHYSICALS

IP rating	IP20
Finish	Black
Construction	Extruded aluminium, sheet metal, and molded engineering grade plastic components



SPX LED WW

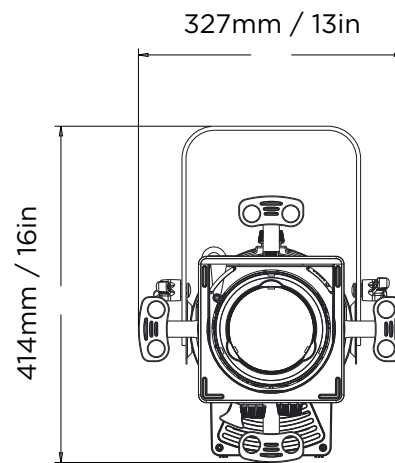
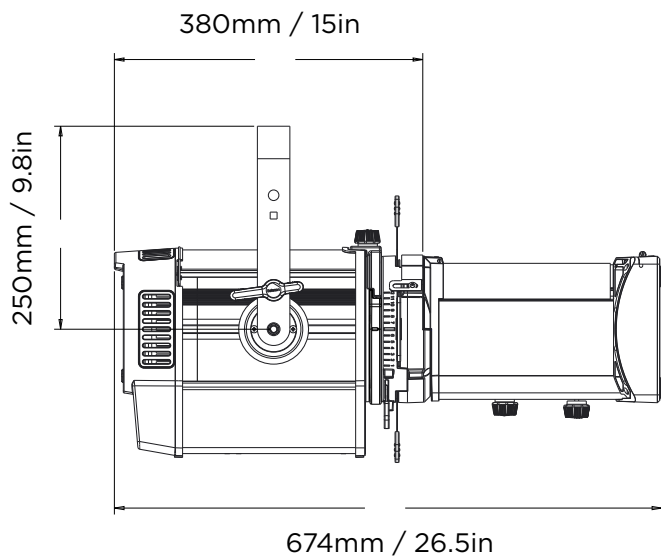
PHYSICALS

Gobo size	B	
Color frame size	mm	in
	158 x 158	6.2 x 6.2

DIMENSIONS	mm	in
H x W x L Exc. lens tube	414 x 328 x 380	16 x 13 x 15

WEIGHT	kg	lb	
Weight	Exc. shutter and lens tube	6.2	13.7
	Shutter assembly	2.9	6.4

WARRANTY & APPROBATION	
Warranty	3 years
Approvals / listings	CE, ETL/cETL and RCM



Dimensions shown with 25-50° lens tube

	Angle	Lens tube length		Total length	
		mm	in	mm	in
Fixed	14°	400	15.7	794	31.3
	19°	310	12.2	704	27.7
	26°	270	10.6	664	26.1
	36°	250	9.8	644	25.4
	50°	200	7.9	594	23.4
Zoom	15-25°	370	14.6	765	30.1
	25-50°	280	11.0	674	26.5



SPX LED WW

SPX LED WW	ORDER CODE
Strand SPX LED WW	12610

GENERAL ACCESSORIES	ORDER CODE
20IRIS 20-Leaf SPX Iris	20IRIS
SPX Gobo Holder, Size B, for Metal Gobos	SPXGHB
SPX Gobo Holder, Size B, for Glass Gobos	SPXGHGB
SPX Color Frame, Spare	19PACCF
SPX Lens Safety, Mesh	19PACSMFB
SPX Replacement Color Frame, 6-1/4" Square, Black	19SPXCF

LENS TUBES	ORDER CODE
SPX Axial Ellipsoidal 14° Fixed Beam Lens Tube Only	SPX14LT
SPX Axial Ellipsoidal 19° Fixed Beam Lens Tube Only	SPX19LT
SPX Axial Ellipsoidal 26° Fixed Beam Lens Tube Only	SPX26LT
SPX Axial Ellipsoidal 36° Fixed Beam Lens Tube Only	SPX36LT
SPX Axial Ellipsoidal 50° Fixed Beam Lens Tube Only	SPX50LT
SPX Axial Ellipsoidal 15° to 35° Zoomspot Lens Tube Only	SPX1535LT
SPX Axial Ellipsoidal 25° to 50° Zoomspot Lens Tube Only	SPX2550LT
Universal Lens Tube Adapter	PLPF4ULTA

120V MARKET CABLES	ORDER CODE
SPX LED Series Luminaire AC Power Input Cable (1m / 39in), PowerCON True1 without AC connector (bare end)	PCT1BE
SPX LED Series Luminaire AC Power Input Cable (1m / 39in), PowerCON True1 with Stagepin Connector	PCT1GP
SPX LED Series Luminaire AC Power Input Cable (1m / 39in), PowerCON True1 with Twistlock Connector	PCT1GTL
SPX LED Series Luminaire AC Power Input Cable (1m / 39in), PowerCON True1 with Edison Connector	PCT1GR

230V MARKET CABLES	ORDER CODE
SPX LED Series Luminaire AC Power Input Cable (1m / 39in), PowerCON True1 without AC connector (bare end)	PCT1BE

SOFTWARE	ORDER CODE
USB Luminaire Software Programming Kit (for updating or reloading luminaire software only) - includes USB Dongle, QuickStart Guide, and Carry Bag	PEGASUS

© 2018 Signify Holding. All rights reserved.

All trademarks are owned by Signify Holding or their respective owners. The information provided herein is subject to change, without notice. Signify does not give any representation or warranty as to the accuracy or completeness of the information included herein and shall not be liable for any action in reliance thereon. The information presented in this document is not intended as any commercial offer and does not form part of any quotation or contract, unless otherwise agreed by Signify. Data subject to change.

Ref: 12610-SpecSheet-01