

# Rumble-KU212

Ultra-thin, high-power passive subwoofer



DATASHEET

Installed Sound Rumble-KU212

## DESCRIPTION

The Rumble-KU212 is an ultra-thin, high-power passive subwoofer designed as the perfect companion to the K-array's Installed Sound speakers. A combination of extended frequency response with prodigious output and a discreet form factor make the KU212 an ideal solution for complex medium and large-format projects like clubs, lounges and live concerts.

The largest of K-array's Rumble subwoofer

line, the KU212 is comprised of a 12" neodymium transducer combined with a 12" passive transducer. The KU212 is made entirely up of steel, making it extremely resistant, even when deployed outside in tough weather conditions.

This makes it ideal for aquatic environments where ordinary bass speakers would corrode. It is impenetrable by foreign objects such as dust, sand or water, which over time can ruin

a speaker. KA series amplifiers have presets specifically optimized for KU212 applications. Measuring at 33 x 65.5 x 20 cm and weighing 18kg, the KU212 is available in elegant black or subtle white and can be customized in any RAL color as well as brushed, polished or 24 K gold-plated finishes, making it easy to blend in or grab attention depending on your aim, in a variety of spaces.

## COLORS & PREMIUM FINISHES AVAILABLE



Black



White



Custom



Gold



Polished



Brushed

## SUGGESTED ACCESSORIES

K-2SPK

K-FLY2B

K-FLY22

K-JOINT2B

## FEATURES



Weather Resistant



Selectable Impedance

## FREQUENT APPLICATIONS

THEME PARKS

CINEMAS

CAFES, BISTROS & RESTAURANTS

THEATERS

BROADCAST & STUDIOS

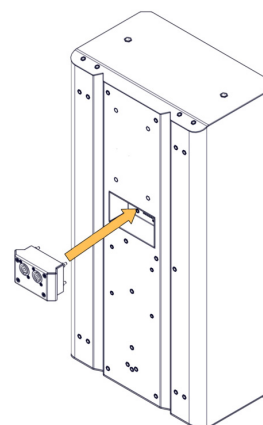
EVENT PRODUCTIONS

STADIUMS & SPORT VENUES

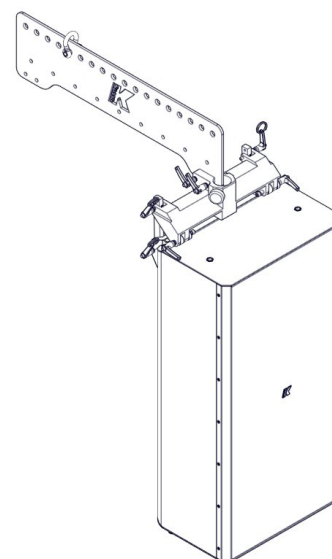
NIGHTCLUBS

# TECHNICAL SPECIFICATIONS

ACOUSTICS	
Power handling	700 W
Impedance	4 / 16 Ohm
Frequency range (-10 dB)	35 Hz-150 Hz
SPL 1W/1mt	100 db
Maximum SPL3	124dB (cont) - 130dB (peak)
COVERAGE	
Horizontal	Omni
Vertical	Omni
CROSSOVER	
Coaxial	External passive crossover
Frequency	150 Hz
TRANSDUCERS	
Type	1 x 12" Neodymium magnet with 2" voice coil
Type	1 x 12" passive transducer
POWER AUDIO IN/OUT	
Connectors	1 x 4-pin phoenix connector
RECOMMENDED AMPLIFIERS	
Type	KA24 - KA84
CERTIFICATION	
IP	56 (More complete water protection with K-KUIP accessory)
PHYSICAL OVERVIEW	
Dimensions	65.0 x 33.0 x 20.0 cm (25.78"x 12.99"x 7.87") <sup>(1)</sup>
Weight	18.5 Kg (40.8 lb)
<p>1. ( W x H x D).</p> <p>New materials and design are introduced into existing products without previous notice. Present systems may differ in some respects from those presented in this catalogue.</p>	



Rumble-KU212+  
K-2SPK



Rumble-KU212+  
K-FLY22+K-FLY2B+  
K-JOINT2B

