

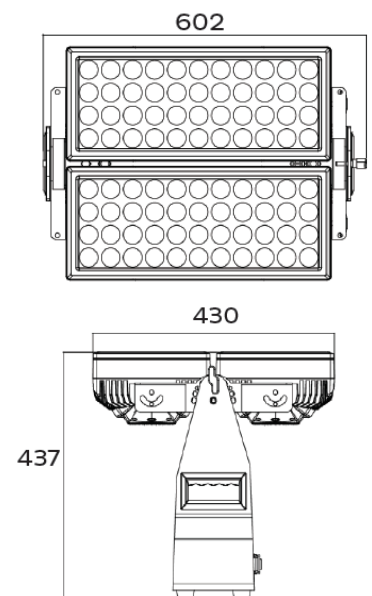
CYCLOPS LIGHTING



Flash 288 is a powerful IP65 LED wash light powered by 88 x 20 watts RGBW LEDs. In addition to its default long throw beam angle of 20°, it comes packed with a magnetic diffuser filter providing a wide 40° wash for medium throw applications. The powerful light output can also be shaped using the optional two 3-way barn doors. FLASH 288 is equipped with a built-in W-DMX™ wireless DMX receiver by Wireless Solution Sweden.

SOURCE	Light source: 88 x 20 watts, RGBW LEDs LED life expectancy: 50,000 Hrs CRI <80
OPTICAL SYSTEM	Beam angle: 20° 40° with a magnetic diffuser filter Light output: 85,000Lux @ 2m @ 40° Individual angle rotation adjustment for each head
DYNAMIC EFFECTS	Dimmer: 4 selectable dimming curves Color mixing: RGBW Strobe effect Built-in effects
CONTROL & PROGRAMMING	Control protocols: DMX, Master-Slave, Auto Run W-DMX™ by Wireless Solution Display: TFT displayer with 4 buttons Control channels: 2, 3, 4, 9, 12 CHs
ELECTRICAL	Input voltage: 190-264V/50-60Hz Power consumption: 1600 watts Power supply: Auto-ranging electronic switch-mode
CONNECTIONS	DMX connections: IP DMX In/Out cables with 3 pin connectors Power connections: IP Power In/Out cable
PHYSICAL SPECIFICATIONS	Dimensions: 602 x 430 x 437mm Net weight: 23.5 Kg Color: Black Painting: Anti-salt and Anti-UV Housing: Die-cast Aluminum IP rating: 65 Operating temperature: -40°C/45°C

Dimensions



Luminous Diagram

