

## GA201

### 2x 125W Compact Power Amplifier



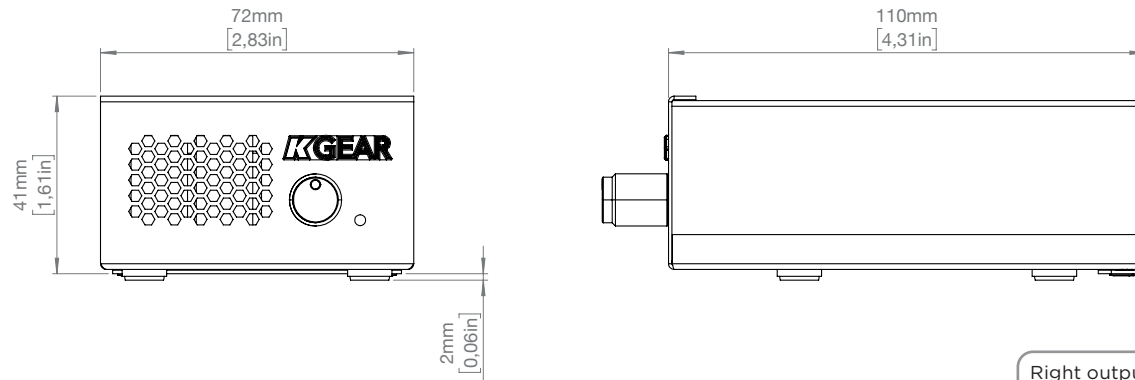
The GA201 is a compact 2-Channel power amplifier. Designed for high performance applications for permanent installations such as retail shops, restaurants, hotels, pubs, disco bars and residential, the GA201 is the perfect companion for driving the KGEAR GF loudspeakers and GS6 subwoofer.

The compact modular design allows to fit up to 6 GA201 elements (12 channels) into 1 rack unit.

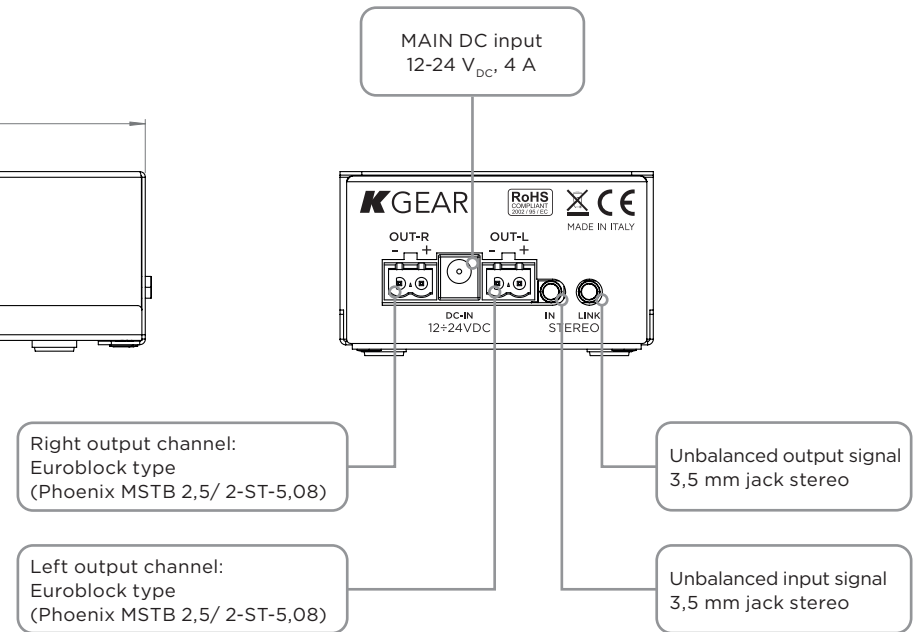
Frequent Applications	
Retail	Cafes, Bistros & Restaurants
Hotels & Resorts	Fitness & Wellness

General	
Type	2-ch Class D power amplifier
Output power	2x 125 W <sub>peak</sub> @ 4 Ω
Minimum impedance	4 Ω (2 Ω for background music)
Frequency response	20 Hz - 20 kHz
Input connectors	3,5mm Mini Jack stereo
Output connectors	2x Speaker Output Euroblock (Phoenix MSTB 2,5/ 2-ST-5,08 plug) 1x Line Link Output 3,5mm Mini Jack stereo
Protections	Thermal Protections (Power limiting - Thermal Shutdown), Short-circuit/overload output protections, stationary high frequency protection, peak limiter, RMS limiter, frequency dependent RMS limiter, Clip limiter
Operating Voltage	Dedicated AC/DC power adapter: input: 100-240V - AC, 50-60 Hz output: 12-24 V <sub>DC</sub> , 4 A
Dimensions (WxHxD)	72 x 43x 134 mm (2.83 x 1.69 x 5.16 in)
Weight	1 kg (2.2 lb)
Material	Stainless steel
Color	Black

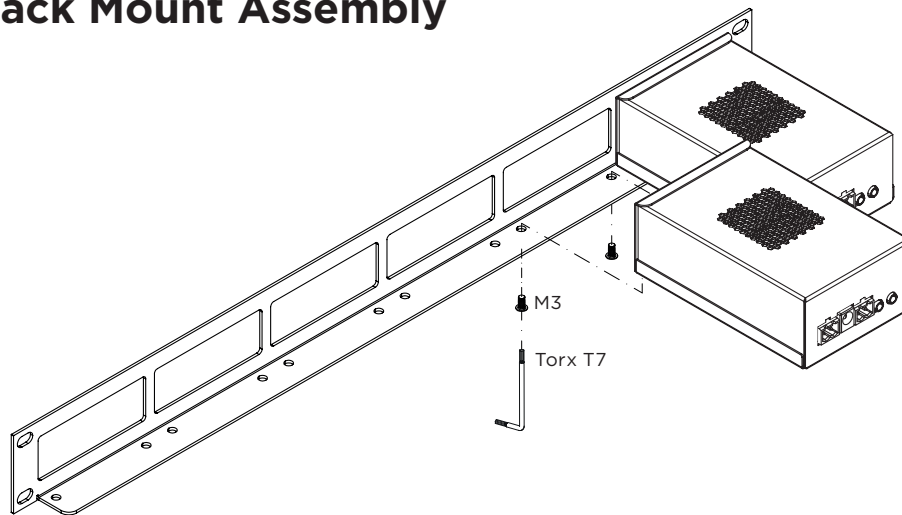
## GA201 Mechanical View



## GA201 Rear Panel



## Rack Mount Assembly



## GA201 Front Panel

