



## 150S Softlight Tungsten /Daylight LED Luminaire



The material in this manual is for information purposes only and is subject to change without notice. Vari-Lite assumes no responsibility for any errors or omissions which may appear in this manual. For comments and suggestions regarding corrections and/or updates to this manual, please contact your nearest Vari-Lite office.

---

**Notes:**

1. Information contained in this document may not be duplicated in full or in part by any person without prior written approval of Vari-Lite. its sole purpose is to provide the user with conceptual information on the equipment mentioned. The use of this document for all other purposes is specifically prohibited.
  2. If the external flexible cable or cord of this luminaire is damaged, it shall be replaced by a special cord or cord exclusively available from the manufacturer or his service agent.
  3. The light source contained in this luminaire shall only be replaced by the manufacturer or his service agent or a similar qualified person.
  4. For controllable luminaires the classification of insulation that has been maintained between LV supply and control conductors shall be provided. E.g. basic insulation, reinforced insulation.
  5. Terminal block not included. Installation may require advice from a qualified person.
- 

Document Number: **150S Softlight LED Luminaires Users**

Version as of: 24-004-3775-01

150S Softlight LED Luminaire Installation & User's Manual

## IMPORTANT INFORMATION

### Warnings and Notices

When using electrical equipment, basic safety precautions should always be followed including the following:




**a. READ AND FOLLOW ALL SAFETY INSTRUCTIONS**


- b. Do not use outdoors.
- c. Do not mount near gas or electric heaters.
- d. Equipment should be mounted in locations and at heights where it will not readily be subjected to tampering by unauthorized personnel.
- e. The use of accessory equipment not recommended by the manufacturer may cause an unsafe condition.
- f. Do not use this equipment for other than intended use.
- g. Refer service to qualified personnel.

**SAVE THESE INSTRUCTIONS.**



**WARNING:** You must have access to a main circuit breaker or other power disconnect device before installing any wiring. Be sure that power is disconnected by removing fuses or turning the main circuit breaker off before installation. Installing the device with power on may expose you to dangerous voltages and damage the device. A qualified electrician must perform this installation.

**WARNING:** Refer to National Electrical Code  and local codes for cable specifications. Failure to use proper cable can result in damage to equipment or danger to personnel.

**WARNING:** This equipment is intended for installation in accordance with the National Electric Code  and local regulations. It is also intended for installation in indoor applications only. Before any electrical work is performed, disconnect power at the circuit breaker or remove the fuse to avoid shock or damage to the control. It is recommended that a qualified electrician perform this installation.



**WARNING!** Remove all power from luminaire before installing lamp or performing any service. **THE LUMINAIRE PRODUCES EXTREME HEAT AND CAN BURN IF TOUCHED WITH BARE HANDS.** Allow unit to cool before servicing. Only use specified / approved lamps at the correct voltage with luminaire.

### Additional Resources for DMX512

For more information on installing DMX512 control systems, the following publication is available for purchase from the United States Institute for Theatre Technology (USITT), "Recommended Practice for DMX512: A Guide for Users and Installers, 2nd edition" (ISBN: 9780955703522). USITT Contact Information:

**USITT**  
**6443 Ridings Road**  
**Syracuse, NY 13206-1111 USA**  
**1-800-93USITT**  
**www.usitt.org**

### Vari-Lite Limited Two-Year Warranty

Vari-Lite offers a two-year limited warranty of its luminaires against defects of materials or workmanship from the date of delivery. A copy of Vari-Lite two-year limited warranty containing specific terms and conditions can be obtained from the web site at [www.vari-lite.com](http://www.vari-lite.com) or by contacting your local Vari-Lite office.

# TABLE OF CONTENTS

|   |                    |
|---|--------------------|
| Safety Information .....                                    | Inside Front Cover |
| <b>IMPORTANT INFORMATION</b>                                |                    |
| Warnings and Notices.....                                   | 1                  |
| <b>TABLE OF CONTENTS</b>                                    |                    |
| <b>PREFACE</b>  |                    |
| About this Manual .....                                     | 3                  |
| Product Descriptions.....                                   | 3                  |
| 150S Softlight LED Luminaires.....                          | 3                  |
| ACCESSORIES.....  | 3                  |
| <b>150S Softlight LED LUMINAIRE OVERVIEW</b>                |                    |
| Major Components.....                                       | 4                  |
| <b>150S Softlight LED LUMINAIRE LCD Display/Menu System</b> |                    |
| LCD Display/Menu System.....                                | 5                  |
| <b>INSTALLATION AND SET UP</b>                              |                    |
| Power Requirements.....                                     | 6                  |
| Connecting Power.....                                       | 6                  |
| Connecting 150S Softlight LED Luminaires to AC Power .....  | 7                  |
| Connecting to the DMX512 Network.....                       | 8                  |
| Mounting Luminaires.....                                    | 9                  |
| <b>OPERATION AND PROGRAM</b>                                |                    |
| LCD Display and Menu System .....                           | 10                 |
| LCD Display and Menu System Operation .....                 | 10                 |
| Menu Structure .....  | 11                 |
| Button Functions .....                                      | 12                 |
| Dimming Curve Selection.....                                | 13                 |
| <b>DMX Control</b>  |                    |
| Simplify 8-bit .....  | 14                 |
| Basic 8-bit .....   | 14                 |
| Basic 16-bit .....  | 14                 |
| <b>150S Softlight LED Luminaire RDM Parameter IDs</b>       |                    |
| 150S Daylight LED Luminaire RDM Parameter IDs .....         | 15                 |
| 150S Tungsten LED Luminaire RDM Parameter IDs .....         | 19                 |
| <b>MAINTENANCE AND CARE</b>                                 |                    |
| Special Cleaning Care Instruction .....                     | 23                 |
| Front Diffusers Cleaning .....                              | 23                 |
| Service and Maintenance .....                               | 23                 |
| Accessories .....   | 24                 |
| Installation of Accessories .....                           | 25                 |
| <b>FEATURES AND SPECIFICATIONS</b>                          |                    |
| 150S Softlight Technical Specification .....                | 26                 |
| 150S Softlight Dimensions .....                             | 27                 |

# PREFACE

---

## 1. About this Manual

The document provides installation and operation instructions for the following products:

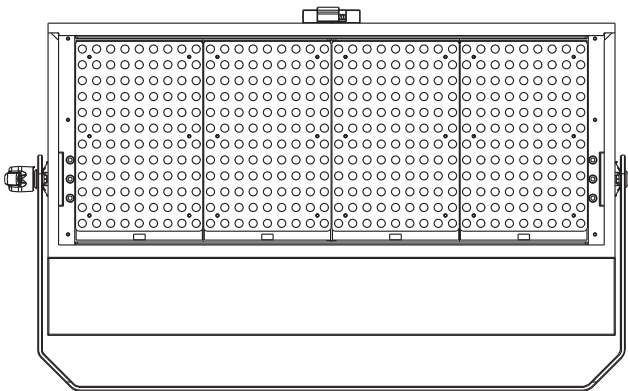
- 150S Softlight AC/DC Tungsten M.O.
- 150S Softlight AC/DC Tungsten P.O.
- 150S Softlight AC/DC Daylight M.O.
- 150S Softlight AC/DC Daylight P.O.

Please read all instructions before installing or using this product. Retain this manual for future reference. Additional product information and descriptions may be downloaded at [www.strandlighting.com](http://www.strandlighting.com).

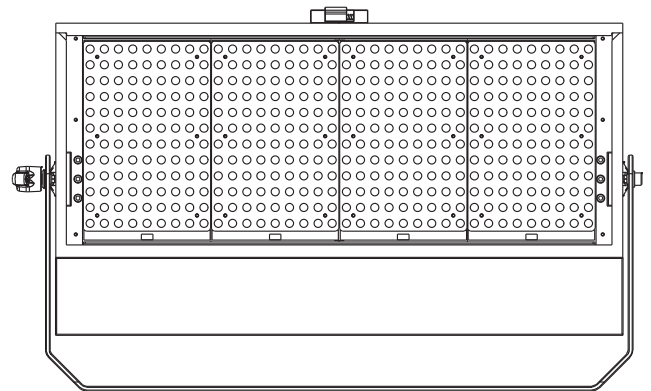
## 2. Product Descriptions

This manual covers the following 150S Softlight LED Luminaire models:

150S Softlight Tungsten



150S Softlight Daylight



## 3. Accessories

- User Manual(this document)
- 1.5m PowerCon Powercord with bare end

# 150S Softlight LED LUMINAIRE OVERVIEW

## 1. 150S Softlight LED Luminaire Components

### Major Luminaire Components

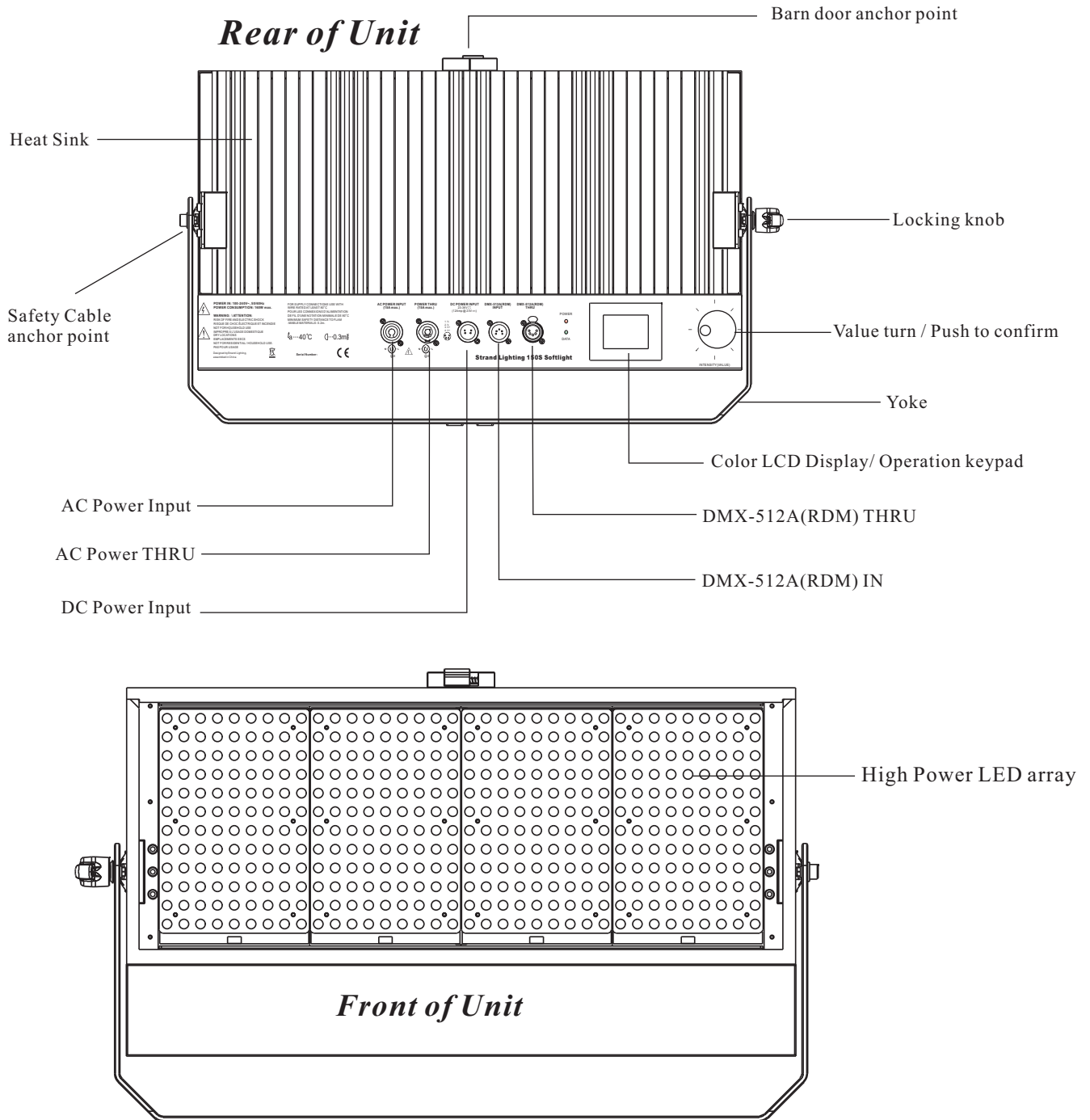
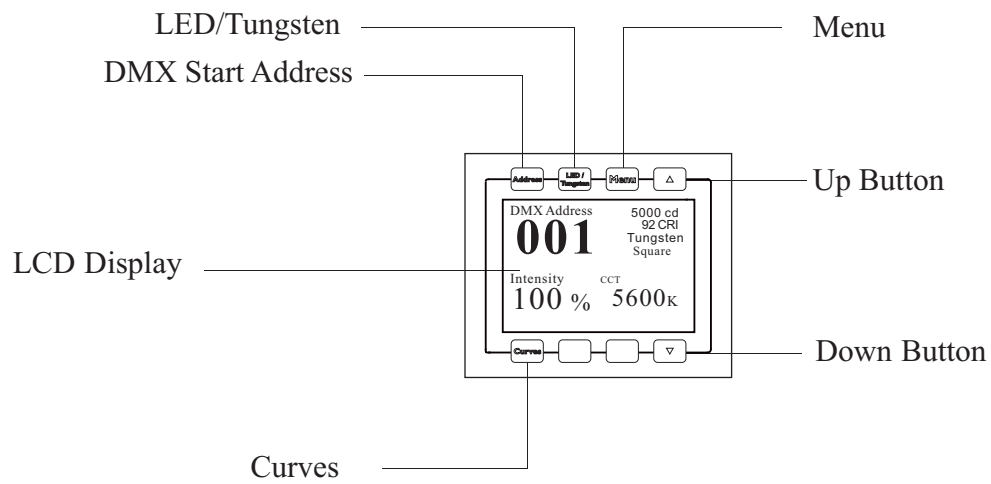


Figure 1: 150S Softlight LED Luminaire Components

## LCD Display/Menu System



**Figure 2: 150S Softlight LED Luminaire LCD Display/Menu System**

# INSTALLATION AND SET UP

## 1. Power Requirements

The 150S Softlight LED Luminaire operates on AC input voltages from 100 to 240 VAC or DC 23-36V.



**WARNING!** This unit does not contain an ON/OFF switch. Always disconnect power input cable to completely remove power from unit when not in use.

### AC Power Operation

When connected to an AC source, the unit operates on 100 to 240 volts AC (+/- 10%, auto-ranging). The luminaire contains an auto-ranging power supply. Each luminaire can draw up to 160 Watts.



**WARNING!** Maximum 9 units in 100 - 120VAC or 20 units of 220 - 240VAC operation can be connected.

**Table 1: 150S Softlight LED Luminaire Voltage (VAC) vs. Current\***

| Voltage (AC) | Total Current (A) | Voltage (AC) | Total Current (A) |
|--------------|-------------------|--------------|-------------------|
| 100          | 1.60A             | 180          | 0.89A             |
| 110          | 1.45A             | 190          | 0.84A             |
| 120          | 1.33A             | 200          | 0.80A             |
| 130          | 1.23A             | 210          | 0.76A             |
| 140          | 1.14A             | 220          | 0.73A             |
| 150          | 1.07A             | 230          | 0.70A             |
| 160          | 1.00A             | 240          | 0.67A             |
| 170          | 0.94A             |              |                   |

**Note:** For wiring of AC input connector, refer to ["Connecting 150S Softlight Luminaires to AC Power"](#) on page 7.

## 2. Connecting Power

Units can be powered in one of two ways:

- Direct connection to a DC power source using a DC adaptor.
- Direct connection to an AC power source using an AC input cable. For wiring of AC input connector, refer to ["Connecting 150S Softlight LED Luminaires to AC Power"](#) on page 7.
- Connection from the AC output of another 150S Softlight LED Luminaire. When using this method, it is very important not to connect any other type of equipment device.



**WARNING!** Power THRU connect is only for next 150S Softlight devices loop though.



### 3. Connecting 150S Softlight LED Luminaires to AC Power

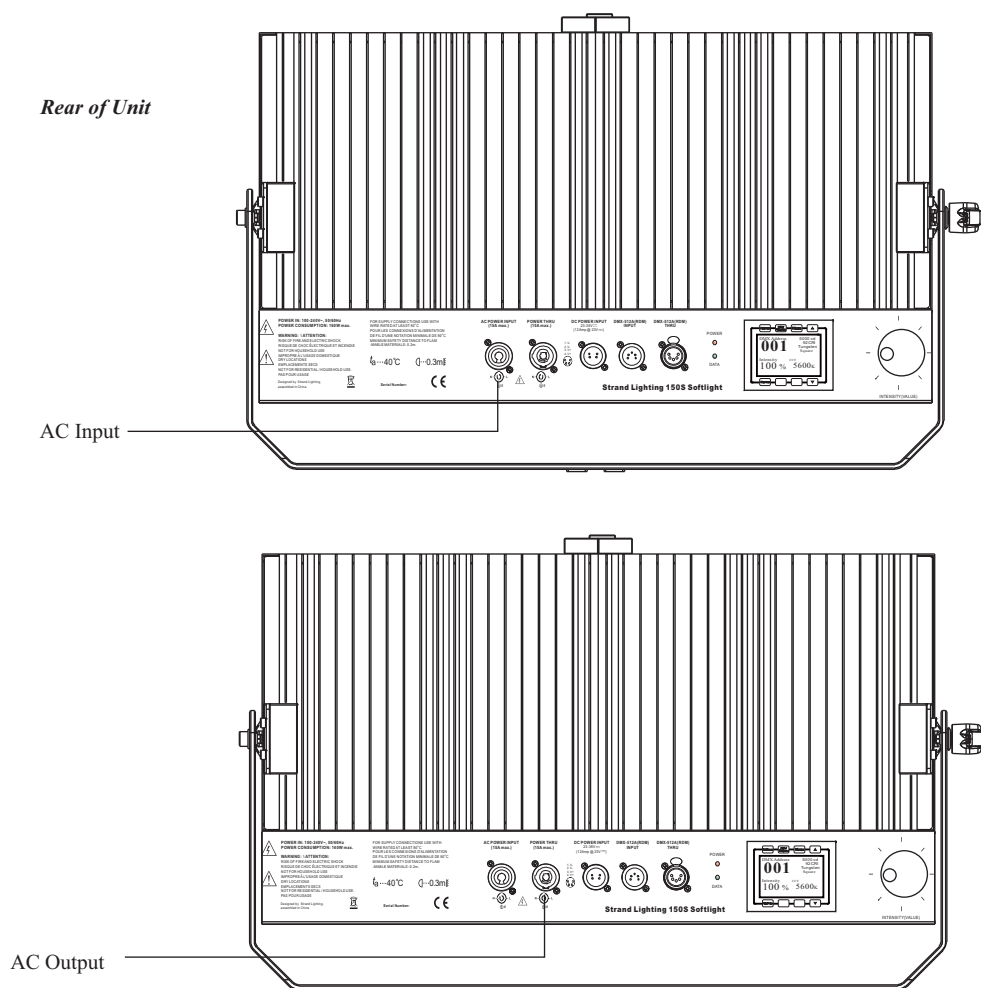
The unit is supplied with an AC input cable in bare end. Input connector is a user-supplied accessory to fit your application.

Table 2 describes how to connect power to your 150S Softlight LED Luminaire. Field wiring of 150S Softlight LED Luminaire is straight forward. A total of 3 wires/conductors is supplied from the unit.

The following wiring scheme is used:

**Table 2:** 150S Softlight LED Luminaire (IP20 Rated Models) AC Input Connections

| Wire Color   | Purpose                    |
|--------------|----------------------------|
| Brown        | Main/ LIVE (100 to 240VAC) |
| Blue         | Neutral                    |
| Green/Yellow | Ground (Earth)             |



**Figure 3:** 150S Softlight LED Luminaire AC Input & Output Connections

**CAUTION:** In the event the AC input cable of this luminaire is damaged, it must be replaced with an approved cable through an Authorized Strandlighting Dealer or Service Center.

## 4. Connecting to the DMX512 Network

DMX-512 network allow maximum of 32 units of 150S Softlight on a single segment of DMX-512 cables loop though in daisy - chain. A cable runs from the control console (or DMX512 control source) to the DMX connector on the first 150S Softlight LED Luminaire. Another cable runs from the other DMX connector first unit to a DMX connector on the next 150S Softlight LED Luminaire.

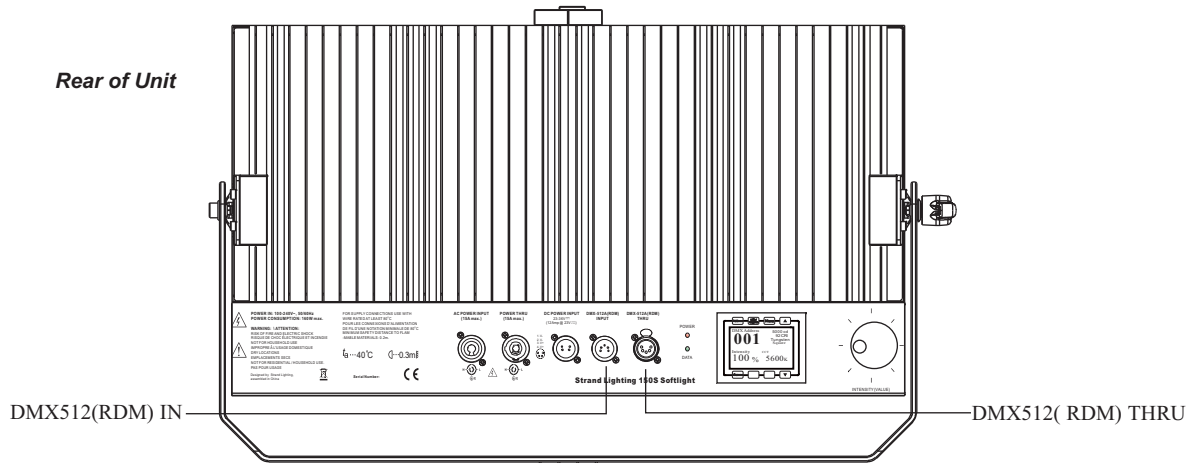


Figure 4: 150S Softlight LED Luminaire DMX512 Input / Output Connections

**Note:** For more information on DMX512 networking and systems, refer to "[Additional Resources for DMX512](#)" on page 1. For 150S Softlight LED Luminaire DMX Mapping, refer to "[DMX CONTROL](#)" on page 14.

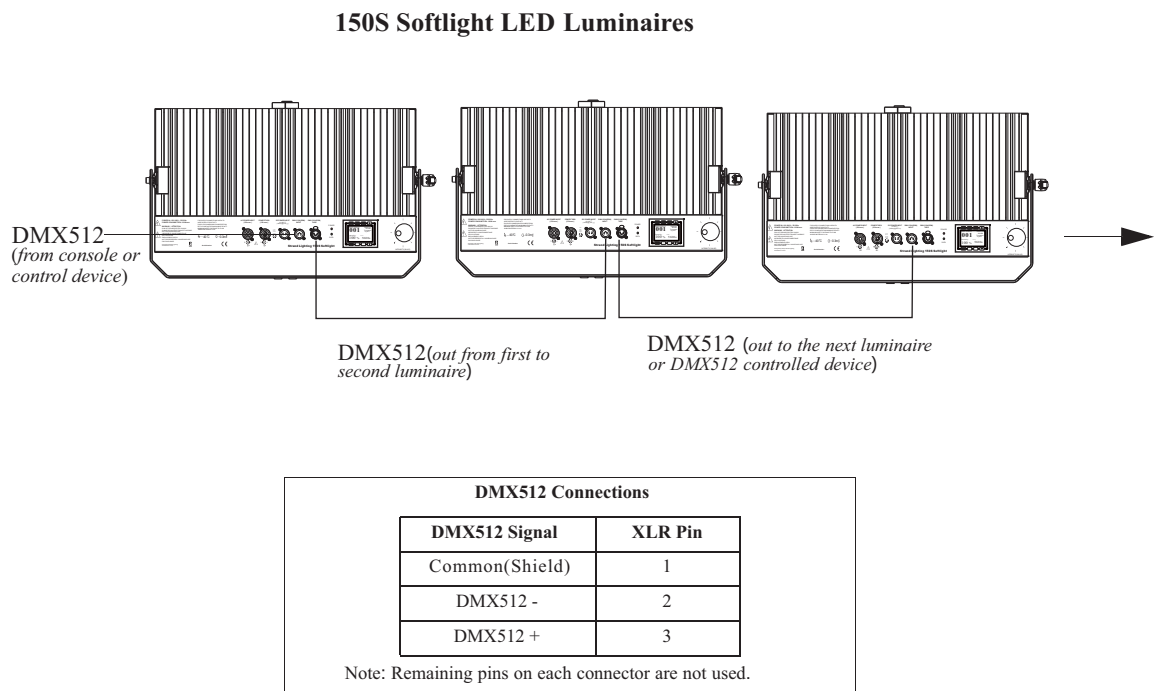
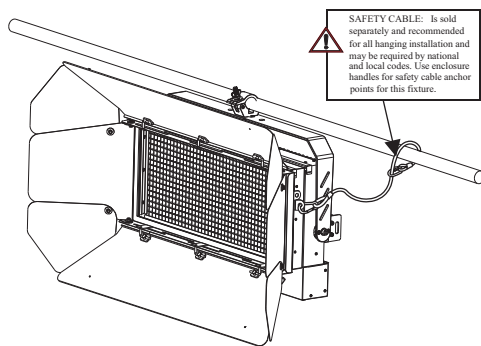


Figure 5: 150S Softlight LED Luminaire - DMX512 Connections

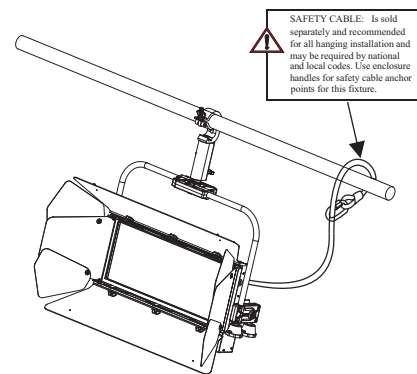
## 5. Mounting Luminaire

The 150S Softlight is provided with two mounts and two safety cable anchor points, with one on the body and the other on the barn door assembly. The luminaire is designed to accept a variety of mounting hooks, clamps, etc. Simply attach hook, clamp, etc. to the 150S Softlight LED Luminaire mount assembly in the M13 hole.

Refer to **Figure 6** and **Figure 7** for detailed mounting information.



**Figure 6: 150S Softlight M.O.**



**Figure 7: 150S Softlight P.O.**

---

*Note: All optional accessories including the honeycomb and barn door are sold separately. please refer to the detail on page 24 of this manual.*

---

# OPERATION AND PROGRAMMING

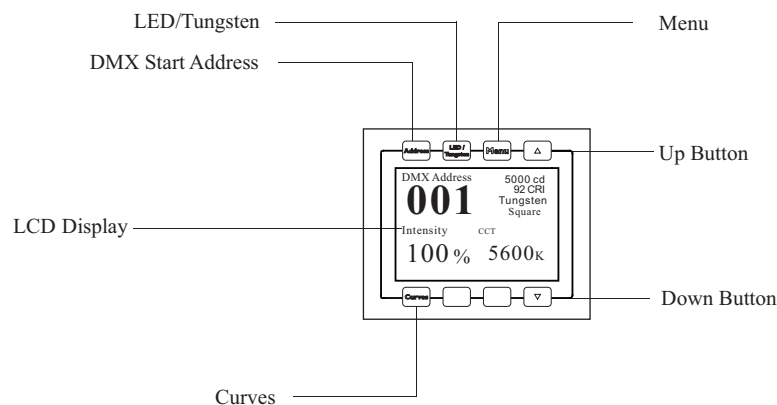
## 1. LCD Display and Menu System

The 150S Softlight LED Luminaire's LCD Display and Menu System provides local control for accessing the following fixture's settings:

- Auto Lock
- Intensity Format
- Fixture Control
- DMX Map
- When No DMX
- Set Factory Default
- Firmware Version
- RDM UID

**Note:** If there are multiple luminaires in a system, changes would need to be made at each LCD Menu as desired.

Upon power up, the LCD will display the main screen. If DMX is enabled, the programmed address will appear after power up.



**Figure 8: LCD Display and Menu System**

## 2. LCD Display and Menu System Operation

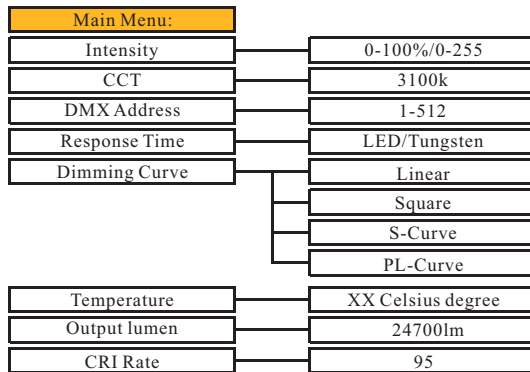
The LCD Display Menu system consists of several categories. Use the Menu Buttons to access and make changes to the menu items. When the desired menu item is reached, press the desired Menu Button to display the menu options and to navigate and configure the menu options as required.

**To navigate and access menu settings/selections:**

- Step 1. Make sure unit is powered and turned on.
- Step 2. Press the desired button (as shown in **Figure 8**) to access menu categories.
- Step 3. Use UP | DOWN arrow buttons to navigate through the various options and settings.
- Step 4. Make changes as desired via the Function Toggle.
- Step 5. Press the Function Toggle button to accept changes.

### 3. Menu Structure

#### 150S Softlight Tungsten



#### 150S Softlight Daylight

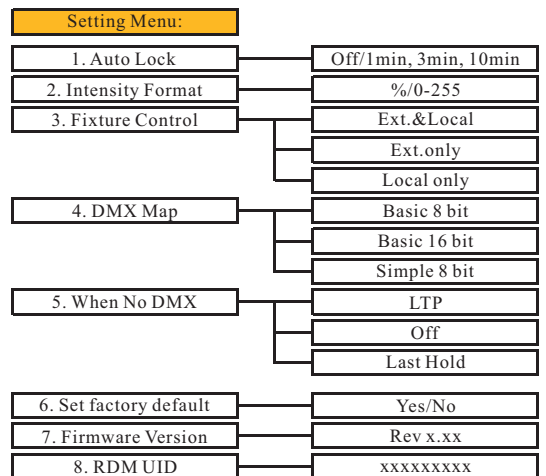
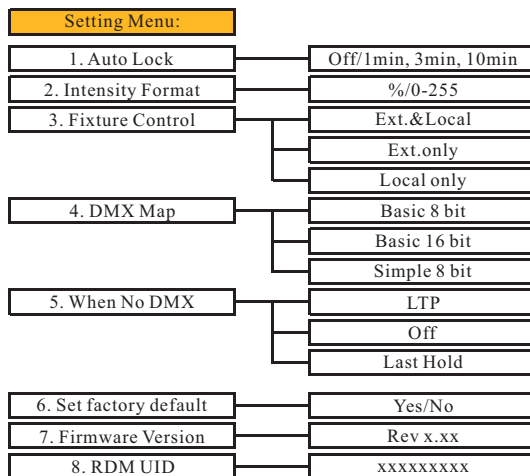
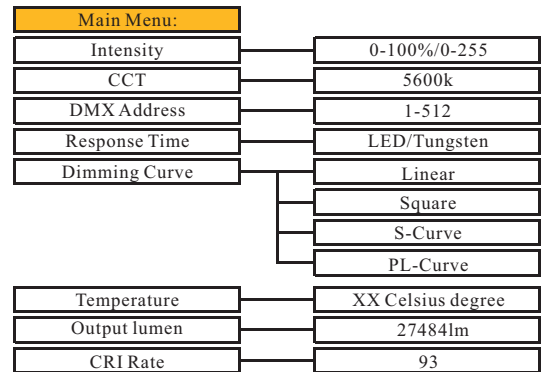


Figure 9: 150S Softlight LED Luminaire Menu Structure

## 4 Button Functions

When in Manual Mode, the 150S Softlight LED Luminaire's features can be accessed via the on-board LCD menu system or via the select buttons:

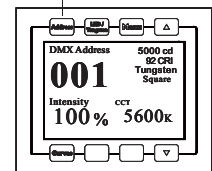
- Address
- LED/Tungsten
- Curves

### Address Button

**To edit and save an Address:**

- Step 1. Press Address button.
- Step 2. Rotate the Value Turn to increase/decrease the value.
- Step 3. Once at desired Address, push the Value Turn to confirm.
- Step 4. Address is now saved.

Address Setting

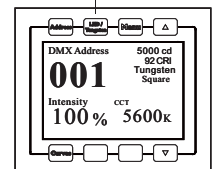


### LED/Tungsten Button

**To edit and save LED/Tungsten:**

- Step 1. Press LED/Tungsten button.
- Step 2. Use the Value Turn to choose between LED or Tungsten.
- Step 3. Once the choice is made, push the Value Turn to confirm.
- Step 4. LED/Tungsten choice is now saved.

Choose between  
LED/Tungsten

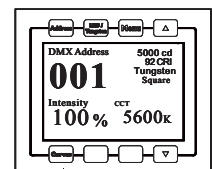


### Curves Button

**To edit and save a Curve:**

- Step 1. Press Curves button.
- Step 2. Rotate the Value Turn to choose the curve between PL-Curve, S-Curve, Square and Linear.
- Step 3. Once the choice is made, push the Value Turn to confirm.
- Step 4. Curves choice is now saved.

Curve Selection



## 5. Dimming Curve Selection

Through the menu, you are able to select one of four dimming curves:

- Linear Curve
- PL\_Curve
- S\_Curve
- Square Curve

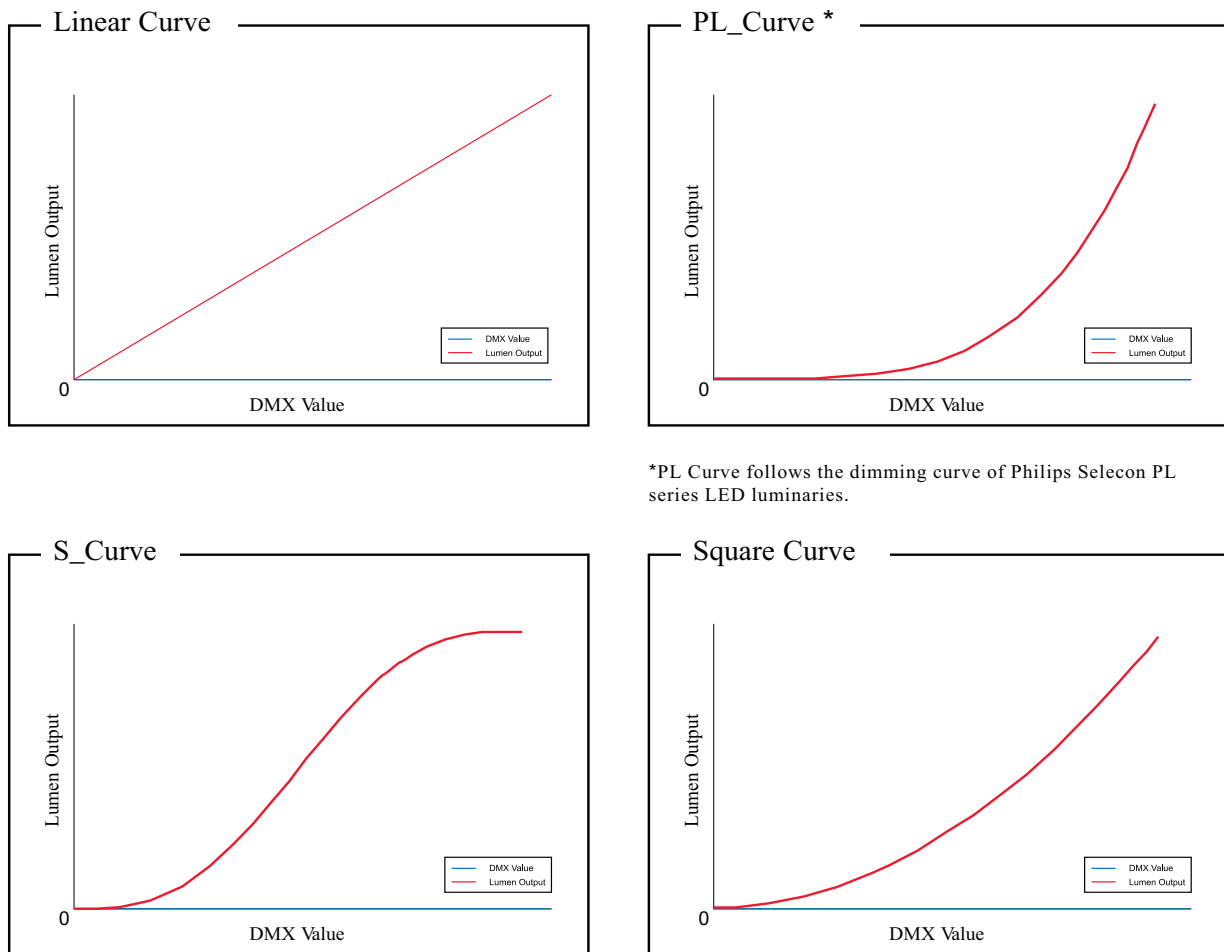


Figure 10: 150S Softlight LED Luminaire Dimmer Curves

# DMX CONTROL

This section contains information for operating the luminaire using DMX control in Simplify 8-bit, Basic 8-Bit, or Basic 16-bit modes. For Menu options and detailed information, see "LCD Display and Menu System" on page 10.

## 1. Simplify 8-bit

Table 3 provides DMX channel mapping of all DMX512 control values when the 150S Softlight LED Luminaire is in Simple 8-bit mode (as set by the luminaire's menu system).

**Table 3: 150S Softlight LED Luminaire DMX Channel Mapping (8-Bit Mode)**

| DMX Channel | Parameter | Range DMX | Range% | Default | Description                                 |
|-------------|-----------|-----------|--------|---------|---|
| 1           | Intensity | 0-255     | 0-100% | 0       | 8 bit control for Intensity of LED settings |

## 2. Basic 8-bit

Table 4 provides DMX channel mapping of all DMX512 control values when the 150S Softlight LED Luminaire is in Basic 8-bit mode (as set by the luminaire's menu system).

**Table 4: 150S Softlight LED Luminaire DMX Channel Mapping (Basic 8-Bit Mode)**

| DMX Channel | Parameter | Range DMX | Range% | Default | Description  |
|-------------|-----------|-----------|--------|---------|--|
| 1           | Intensity | 0-255     | 0-100% | 0       | 8 bit control for Intensity of LED settings  |
| 2           | Timing    | 0-255     | 0-100% | 0       | Timing control of intensity, CCT, and preset.<br>0% (Instant)<br>1% (1 sec)<br>2% (2 sec)<br>3% (3 sec)<br>...<br>100% (100 sec) |

## 3. Basic 16-bit

Table 5 provides DMX channel mapping of all DMX512 control values when the 150S Softlight LED Luminaire is in Basic 16-bit mode (as set by the luminaire's menu system).

**Table 5: 150S Softlight LED Luminaire DMX Channel Mapping (Basic 16-Bit Mode)**

| DMX Channel | Parameter                       | Range DMX | Range% | Default | Description  |
|-------------|---------------------------------|-----------|--------|---------|--|
| 1<br>2      | Intensity High<br>Intensity Low | 0-65535   | 0-100% | 0       | 16 bit control for Intensity of LED settings   |
| 3           | Timing                          | 0-255     | 0-100% | 0       | Timing control of intensity, CCT, and preset.<br>0% (Instant)<br>1% (1 sec)<br>2% (2 sec)<br>3% (3 sec)<br>...<br>100% (100 sec) |



## 8. 150S Softlight Daylight LED Luminaire RDM Parameter IDs

The following tables outline and describe all the RDM parameters IDs associated with 150S Softlight 5600K LED Luminaires.

Table 6, "150S Softlight Daylight LED Luminaire RDM Product Parameters IDs "

Table 7, "150S Softlight Daylight LED Luminaire RDM UID "

Table 8, "150S Softlight Daylight LED Luminaire RDM Parameters IDs ," on page 16

Table 9, "150S Softlight Daylight LED Luminaire RDM Manufacturer Specific PIDs for Root Device," on page 18

**Table 6: 150S Softlight LED Luminaire RDM Product Parameters Ids**

| Model ID | Manufacturer         | Model Description | Product Category |
|----------|----------------------|-------------------|------------------|
| 0x1114   | Strand Lighting Ltd. | 150S 5600K        | 0x0509           |

**Table 7: 150S Softlight Daylight LED Luminaire RDM UID**

| UID                |                    |                       |                       |                       |                       |
|--------------------|--------------------|-----------------------|-----------------------|-----------------------|-----------------------|
| MSB of ESTA<br>73H | LSB of ESTA<br>6CH | MSB of<br>Unique Seq. | MSB of<br>Unique Seq. | MSB of<br>Unique Seq. | LSB of<br>Unique Seq. |

Table 8: 150S Softlight Daylight LED Luminaire RDM Parameters Ids

| Get Allowed                           | Set Allowed | RDM Parameter IDs                  | Value  | Comment  | Implemented |
|---------------------------------------|-------------|------------------------------------|--------|--|-------------|
| <i>Category - Network Management</i>  |             |                                    |        |  |             |
|                                       |             | DISC_UNIQUE_BRANCH                 | 0x0001 |  | ■           |
|                                       |             | DISC_MUTE                          | 0x0002 |  | ■           |
|                                       |             | DISC_UN_MUTE                       | 0x0003 |  | ■           |
| ■                                     |             | PROXIED_DEVICES                    | 0x0010 |  |             |
| ■                                     |             | PROXIED_DEVICES_COUNT              | 0x0011 |  |             |
| ■                                     | ■           | COMMS_STATUS                       | 0x0015 |  |             |
| <i>Category - Status Collection</i>   |             |                                    |        |  |             |
| ■                                     |             | QUEUED_MESSAGE                     | 0x0020 |  | ■           |
| ■                                     |             | STATUS_MESSAGES                    | 0x0030 |  | ■           |
| ■                                     |             | STATUS_ID_DESCRIPTION              | 0x0031 |  | ■           |
|                                       | ■           | CLEAR_STATUS_ID                    | 0x0032 |  | ■           |
| ■                                     | ■           | SUB_DEVICE_STATUS_REPORT_THRESHOLD | 0x0033 |  |             |
| <i>Category - RDM Information</i>     |             |                                    |        |  |             |
| ■                                     |             | SUPPORTED_PARAMETERS               | 0x0050 | * Support required only of supporting Parameters beyond the minimum required set           | ■           |
| ■                                     |             | PARAMETER_DESCRIPTION              | 0x0051 | - Support required for Manufacturer-Specific PIDs exposed in SUPPORTED_PARAMETERS message. | ■           |
| <i>Category - Product Information</i> |             |                                    |        |  |             |
| ■                                     |             | PARAMETER_DESCRIPTION              | 0x0060 |  | ■           |
| ■                                     |             | PRODUCT_DETAIL_ID_LIST             | 0x0070 |  |             |
| ■                                     |             | DEVICE_MODEL_DESCRIPTION           | 0x0080 |  | ■           |
| ■                                     |             | MANUFACTURER_LABEL                 | 0x0081 |  | ■           |
| ■                                     | ■           | DEVICE_LABEL                       | 0x0082 |  | ■           |
| ■                                     | ■           | FACTORY_DEFAULTS                   | 0x0090 |  | ■           |
| ■                                     |             | LANGUAGE_CAPABILITIES              | 0x00A0 |  |             |
| ■                                     | ■           | LANGUAGE                           | 0x00B0 |  |             |
| ■                                     |             | SOFTWARE_VERSION_LABEL             | 0x00C0 |  | ■           |
| ■                                     |             | BOOT_SOFTWARE_VERSION_ID           | 0x00C1 |  |             |
| ■                                     |             | BOOT_SOFTWARE_VERSION_LABEL        | 0x00C2 |  |             |
| <i>Category - DMX512 Setup</i>        |             |                                    |        |  |             |
| ■                                     | ■           | DMX_PERSONALITY                    | 0x00E0 |  | ■           |
| ■                                     |             | DMX_PERSONALITY_DESCRIPTION        | 0x00E1 |  | ■           |
| ■                                     | ■           | DMX_START_ADDRESS                  | 0x00F0 | * Required if device uses a DMX Slot   | ■           |
| ■                                     |             | SLOT_INFO                          | 0x0120 |  | ■           |
| ■                                     |             | SLOT_DESCRIPTION                   | 0x0121 |  | ■           |
| ■                                     |             | DEFAULT_SLOT_VALUE                 | 0x0122 |  |             |

Table 9: 150S Softlight Daylight LED Luminaire RDM Manufacturer Specific PIDs for Root Device

| Get Allowed  | Set Allowed | RDM Parameter IDs | Type | Length | Unit | Prefix | Min | Max | Default | Description      |
|--|-------------|-------------------|------|--------|------|--------|-----|-----|---------|------------------|
| <i>Category - Manufacturer Defined PIDs - Range is 0x8000-0xffff (See ANSI E1.20-2010 Standard, Table A-3)</i> |             |                   |      |        |      |        |     |     |         |                  |
| ■  | ■           | 0x8106            | U8   | 1      | None | None   | 0   | 2   | 0       | Fixture Control  |
| ■  | ■           | 0x810A            | U8   | 1      | None | None   | 0   | 1   | 0       | Intensity Format |
| ■  | ■           | 0x8A00            | U8   | 1      | None | None   | 0   | 100 | 100     | Dimmer           |
| ■  | ■           | 0x8A0C            | U8   | 1      | None | None   | 0   | 2   | 2       | DMX FAIL MODE    |
| ■  | ■           | 0x8A41            | U8   | 1      | None | None   | 0   | 1   | 0       | Auto Lock        |
| ■  | ■           | 0x8A42            | U8   | 1      | None | None   | 0   | 1   | 0       | Response Time    |
| ■  | ■           | 0x8AA1            | U8   | 1      | None | None   | 0   | 3   | 3       | Dimming Curve    |

Table 8: 150S Softlight Daylight LED Luminaire RDM Parameters Ids

| Get Allowed                                     | Set Allowed | RDM Parameter IDs     | Value  | Comment | Implemented |
|---|-------------|-----------------------|--------|---------|-------------|
| <i>Category - Sensors 0x02xx</i>                |             |                       |        |         |             |
| ■   |             | SENSOR_DEFINITION     | 0x0200 |         | ■           |
| ■   | ■           | SENSOR)VALUE          | 0x0201 |         | ■           |
|   | ■           | RECORD_SENSORS        | 0x0202 |         |             |
| <i>Category - Dimmer Settings 0x03xx Future</i> |             |                       |        |         |             |
| <i>Category - Power/Lamp Settings 0x04xx</i>    |             |                       |        |         |             |
| ■   | ■           | DEVICE_HOURS          | 0x0400 |         |             |
| ■   | ■           | LAMP_HOURS            | 0x0401 |         |             |
| ■   | ■           | LAMP_STRIKES          | 0x0402 |         |             |
| ■   | ■           | LAMP_STATE            | 0x0403 |         |             |
| ■   | ■           | LAMP_ON_MODE          | 0x0404 |         |             |
| ■   | ■           | DEVICE_POWER_CYCLES   | 0x0405 |         |             |
| <i>Category - Display Settings 0x05xx</i>       |             |                       |        |         |             |
| ■   | ■           | DISPLAY_INVERT        | 0x0500 |         |             |
| ■   | ■           | DISPLAY_LEVEL         | 0x0501 |         |             |
| <i>Category - Configuration 0x06xx</i>          |             |                       |        |         |             |
| ■   | ■           | PAN_INVERT            | 0x0600 |         |             |
| ■   | ■           | TILT_INVERT           | 0x0601 |         |             |
| ■   | ■           | PAN_TILT_SWAP         | 0x0602 |         |             |
| ■   | ■           | REAL_TIME_CLOCK       | 0x0603 |         |             |
| <i>Category - Control 0x10xx</i>                |             |                       |        |         |             |
| ■   | ■           | IDENTIFY_DEVICE       | 0x1000 |         | ■           |
|   | ■           | RESET_DEVICE          | 0x1001 |         |             |
| ■   | ■           | POWER_STATE           | 0x1010 |         |             |
| ■   | ■           | PERFORM_SELFTEST      | 0x1020 |         |             |
| ■   |             | SELF_TEST_DESCRIPTION | 0x1021 |         |             |
|   | ■           | CAPTURE_PRESET        | 0x1030 |         |             |
| ■   | ■           | PRESET_PLAYBACK       | 0x1031 |         |             |

## 9. 150S Softlight Tungsten LED Luminaire RDM Parameter IDs

The following tables outline and describe all the RDM parameters IDs associated with 150S Softlight Tungsten LED Luminaires.

Table 10, "150S Softlight Tungsten LED Luminaire RDM Product Parameters IDs "

Table 11, "150S Softlight Tungsten LED Luminaire RDM UID "

Table 12, "150S Softlight Tungsten LED Luminaire RDM Parameters IDs ," on page 20

Table 13, "150S Softlight Tungsten LED Luminaire RDM Manufacturer Specific PIDs for Root Device," on page 22

**Table 10: 150S Softlight Tungsten LED Luminaire RDM Product Parameters Ids**

| Model ID | Manufacturer         | Model Description | Product Category |
|----------|----------------------|-------------------|------------------|
| 0x1115   | Strand Lighting Ltd. | 150S 3100K        | 0x0509           |

**Table 11: 150S Softlight Tungsten LED Luminaire RDM UID**

| UID                |                    |                       |                       |                       |                       |
|--------------------|--------------------|-----------------------|-----------------------|-----------------------|-----------------------|
| MSB of ESTA<br>73H | LSB of ESTA<br>6CH | MSB of<br>Unique Seq. | MSB of<br>Unique Seq. | MSB of<br>Unique Seq. | LSB of<br>Unique Seq. |

Table 12: 150S Softlight Tungsten LED Luminaire RDM Parameters Ids

| Get Allowed                           | Set Allowed | RDM Parameter IDs                  | Value  | Comment  | Implemented |
|---------------------------------------|-------------|------------------------------------|--------|--|-------------|
| <i>Category - Network Management</i>  |             |                                    |        |  |             |
|                                       |             | DISC_UNIQUE_BRANCH                 | 0x0001 |  | ■           |
|                                       |             | DISC_MUTE                          | 0x0002 |  | ■           |
|                                       |             | DISC_UN_MUTE                       | 0x0003 |  | ■           |
| ■                                     |             | PROXIED_DEVICES                    | 0x0010 |  |             |
| ■                                     |             | PROXIED_DEVICES_COUNT              | 0x0011 |  |             |
| ■                                     | ■           | COMMS_STATUS                       | 0x0015 |  |             |
| <i>Category - Status Collection</i>   |             |                                    |        |  |             |
| ■                                     |             | QUEUED_MESSAGE                     | 0x0020 |  | ■           |
| ■                                     |             | STATUS_MESSAGES                    | 0x0030 |  | ■           |
| ■                                     |             | STATUS_ID_DESCRIPTION              | 0x0031 |  | ■           |
|                                       | ■           | CLEAR_STATUS_ID                    | 0x0032 |  | ■           |
| ■                                     | ■           | SUB_DEVICE_STATUS_REPORT_THRESHOLD | 0x0033 |  |             |
| <i>Category - RDM Information</i>     |             |                                    |        |  |             |
| ■                                     |             | SUPPORTED_PARAMETERS               | 0x0050 | * Support required only of supporting Parameters beyond the minimum required set           | ■           |
| ■                                     |             | PARAMETER_DESCRIPTION              | 0x0051 | - Support required for Manufacturer-Specific PIDs exposed in SUPPORTED_PARAMETERS message. | ■           |
| <i>Category - Product Information</i> |             |                                    |        |  |             |
| ■                                     |             | PARAMETER_DESCRIPTION              | 0x0060 |  | ■           |
| ■                                     |             | PRODUCT_DETAIL_ID_LIST             | 0x0070 |  |             |
| ■                                     |             | DEVICE_MODEL_DESCRIPTION           | 0x0080 |  | ■           |
| ■                                     |             | MANUFACTURER_LABEL                 | 0x0081 |  | ■           |
| ■                                     | ■           | DEVICE_LABEL                       | 0x0082 |  | ■           |
| ■                                     | ■           | FACTORY_DEFAULTS                   | 0x0090 |  | ■           |
| ■                                     |             | LANGUAGE_CAPABILITIES              | 0x00A0 |  |             |
| ■                                     | ■           | LANGUAGE                           | 0x00B0 |  |             |
| ■                                     |             | SOFTWARE_VERSION_LABEL             | 0x00C0 |  | ■           |
| ■                                     |             | BOOT_SOFTWARE_VERSION_ID           | 0x00C1 |  |             |
| ■                                     |             | BOOT_SOFTWARE_VERSION_LABEL        | 0x00C2 |  |             |
| <i>Category - DMX512 Setup</i>        |             |                                    |        |  |             |
| ■                                     | ■           | DMX_PERSONALITY                    | 0x00E0 |  | ■           |
| ■                                     |             | DMX_PERSONALITY_DESCRIPTION        | 0x00E1 |  | ■           |
| ■                                     | ■           | DMX_START_ADDRESS                  | 0x00F0 | * Required if device uses a DMX Slot   | ■           |
| ■                                     |             | SLOT_INFO                          | 0x0120 |  | ■           |
| ■                                     |             | SLOT_DESCRIPTION                   | 0x0121 |  | ■           |
| ■                                     |             | DEFAULT_SLOT_VALUE                 | 0x0122 |  |             |

Table 12: 150S Softlight Tungsten LED Luminaire RDM Parameters Ids

| Get Allowed                                     | Set Allowed | RDM Parameter IDs     | Value  | Comment | Implemented |
|---|-------------|-----------------------|--------|---------|-------------|
| <i>Category - Sensors 0x02xx</i>                |             |                       |        |         |             |
| ■   |             | SENSOR_DEFINITION     | 0x0200 |         | ■           |
| ■   | ■           | SENSOR)VALUE          | 0x0201 |         | ■           |
|   | ■           | RECORD_SENSORS        | 0x0202 |         |             |
| <i>Category - Dimmer Settings 0x03xx Future</i> |             |                       |        |         |             |
| <i>Category - Power/Lamp Settings 0x04xx</i>    |             |                       |        |         |             |
| ■   | ■           | DEVICE_HOURS          | 0x0400 |         |             |
| ■   | ■           | LAMP_HOURS            | 0x0401 |         |             |
| ■   | ■           | LAMP_STRIKES          | 0x0402 |         |             |
| ■   | ■           | LAMP_STATE            | 0x0403 |         |             |
| ■   | ■           | LAMP_ON_MODE          | 0x0404 |         |             |
| ■   | ■           | DEVICE_POWER_CYCLES   | 0x0405 |         |             |
| <i>Category - Display Settings 0x05xx</i>       |             |                       |        |         |             |
| ■   | ■           | DISPLAY_INVERT        | 0x0500 |         |             |
| ■   | ■           | DISPLAY_LEVEL         | 0x0501 |         |             |
| <i>Category - Configuration 0x06xx</i>          |             |                       |        |         |             |
| ■   | ■           | PAN_INVERT            | 0x0600 |         |             |
| ■   | ■           | TILT_INVERT           | 0x0601 |         |             |
| ■   | ■           | PAN_TILT_SWAP         | 0x0602 |         |             |
| ■   | ■           | REAL_TIME_CLOCK       | 0x0603 |         |             |
| <i>Category - Control 0x10xx</i>                |             |                       |        |         |             |
| ■   | ■           | IDENTIFY_DEVICE       | 0x1000 |         | ■           |
|   | ■           | RESET_DEVICE          | 0x1001 |         |             |
| ■   | ■           | POWER_STATE           | 0x1010 |         |             |
| ■   | ■           | PERFORM_SELFTEST      | 0x1020 |         |             |
| ■   |             | SELF_TEST_DESCRIPTION | 0x1021 |         |             |
|   | ■           | CAPTURE_PRESET        | 0x1030 |         |             |
| ■   | ■           | PRESET_PLAYBACK       | 0x1031 |         |             |

Table 13: 150S Softlight Tungsten LED Luminaire RDM Manufacturer Specific PIDs for Root Device

| Get Allowed  | Set Allowed | RDM Parameter IDs | Type | Length | Unit | Prefix | Min | Max | Default | Description      |
|--|-------------|-------------------|------|--------|------|--------|-----|-----|---------|------------------|
| <i>Category - Manufacturer Defined PIDs - Range is 0x8000-0xffff (See ANSI E1.20-2010 Standard, Table A-3)</i> |             |                   |      |        |      |        |     |     |         |                  |
| ■  | ■           | 0x8106            | U8   | 1      | None | None   | 0   | 2   | 0       | Fixture Control  |
| ■  | ■           | 0x810A            | U8   | 1      | None | None   | 0   | 1   | 0       | Intensity Format |
| ■  | ■           | 0x8A00            | U8   | 1      | None | None   | 0   | 100 | 100     | Dimmer           |
| ■  | ■           | 0x8A0C            | U8   | 1      | None | None   | 0   | 2   | 2       | DMX FAIL MODE    |
| ■  | ■           | 0x8A41            | U8   | 1      | None | None   | 0   | 1   | 0       | Auto Lock        |
| ■  | ■           | 0x8A42            | U8   | 1      | None | None   | 0   | 1   | 0       | Response Time    |
| ■  | ■           | 0x8AA1            | U8   | 1      | None | None   | 0   | 3   | 3       | Dimming Curve    |



## CLEANING AND CARE

---



**WARNING!** All cleaning should be performed with power completely removed from the luminaire. Never remove protective covers when luminaire is powered. Wear appropriate protective eye wear and gloves when cleaning the fixture. All service and maintenance, other than described herein, should be performed by a qualified technician or Authorized Service Center.

---

### 1. Special Cleaning and Care Instructions

Being a solid-state fixture, and unlike most fixtures, the 150S Softlight LED Luminaire requires very little routine maintenance by the user. This section covers portions of the luminaire that can be removed for cleaning.

The 150S Softlight LED Luminaire special care when it comes to cleaning front lens assembly. Additional care needs to be taken with the plastic components because they are much easier to scratch or damage than glass.

The following is a list of cleaning materials required to care for your 150S Softlight LED Luminaire:

- Lint free lens tissue
- Lint or powder free gloves
- Reagent grade isopropyl alcohol\*
- A mild soap solution.

**Note:** \*Reagent grade isopropyl alcohol is good to use on the 150S Softlight LED Luminaire plastic optics with anti-reflection coatings.

---

If the lens is still dirty after using isopropyl alcohol, for instance if fingerprints or oil is just redistributed and not cleaned off the optic, then a mild soap and water solution can be used to gently wash the lens. Repeat the cleaning with isopropyl alcohol to eliminate streaks and soap residue.



**WARNING!** Under no circumstances should ammonia-based cleaners, acetone, or other harsh solvents be used on or near the 150S Softlight LED Luminaire. These types of cleaners or solvents can permanently damage the optics or housings of the fixture.

---

If you have any questions regarding the use or care of your 150S Softlight LED Luminaire, please contact Vari-Lite technical support or your local Authorized Dealer.

### 2. Front Diffusers Cleaning

**To clean the front diffusers:**

- Step 1. Disconnect luminaire from power and allow to cool completely.
- Step 2. Apply a small amount of reagent grade isopropyl alcohol to lint-free lens tissue.
- Step 3. Wipe all debris, dirt, fingerprints, etc. from diffusers.
- Step 4. Using a second lint-free lens tissue, wipe off any alcohol residue.

### 3. Service and Maintenance

For all other service and maintenance issues, please contact your local Strandlighting office or an Authorized Service Center.

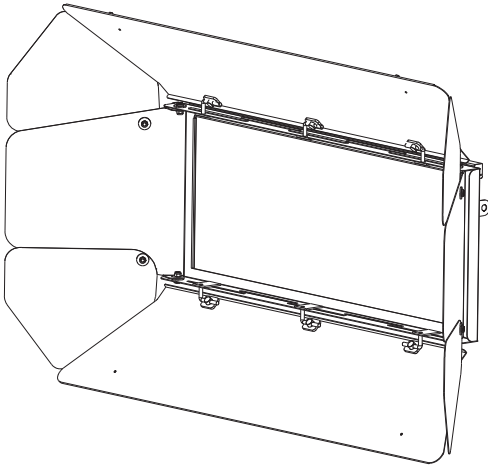


**WARNING!** Disassembly (other than as described herein), alterations, unauthorized service, etc. will void the product warranty. Contact your local Strandlighting office or an Authorized Service Center for technical support and service.

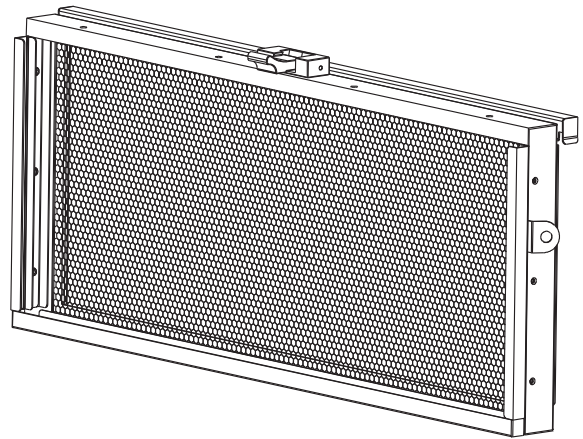
---

## 4. Accessories

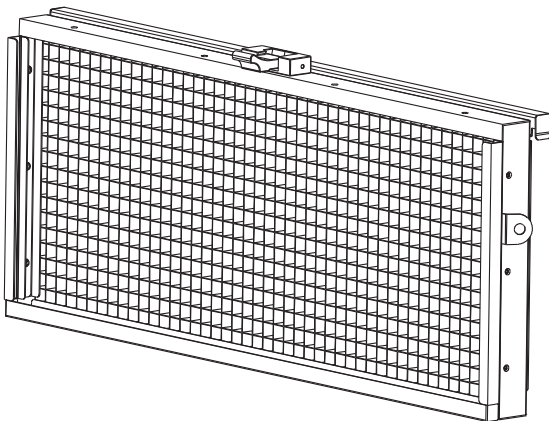
The 150S Softlight series will have 3 optional accessories including a barndoor with filter clip, a 20 degree honeycomb, and a 36 degree honeycomb. All these accessories can be equipped with the luminaire solely or via a combination. For example, a 20 degree honeycomb and the barndoor and a 36 degree honeycomb plus the barndoor. See illustration as below for more information.



*Barndoor*



*20 degree Honeycomb*



*36 degree Honeycomb*

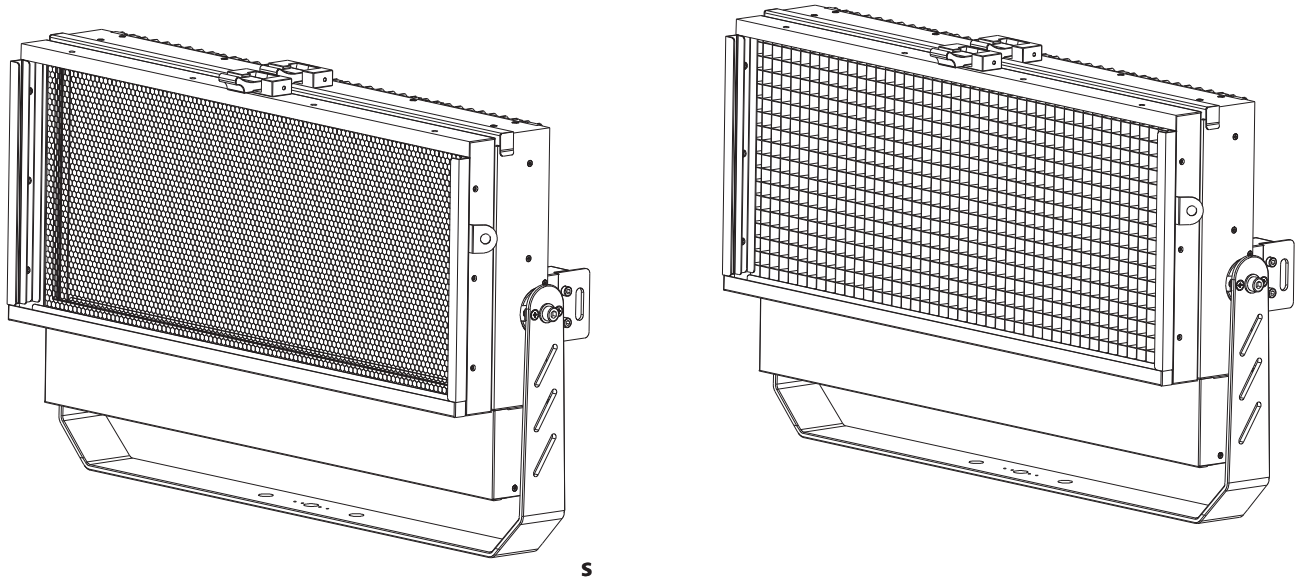
---

*Note: All these accessories will be sold separately*

---

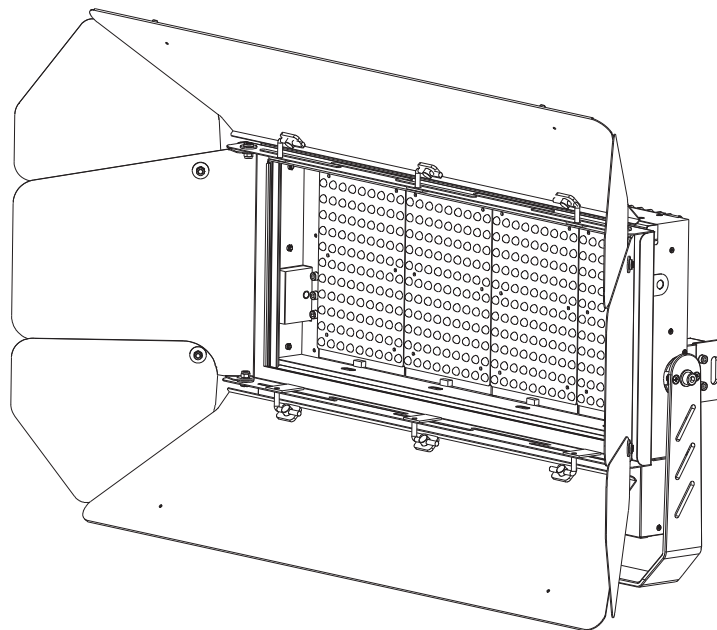
## 5. Installation of the accessories

All accessories can be equipped to the 150S Softlight luminaire, whether individually or a combination. See the illustration below for more information.



*150S Softlight with 36 degree honeycomb on*

*150S Softlight with 20 degree honeycomb on*



*150S Softlight with 20 degree honeycomb and the barndoor on*

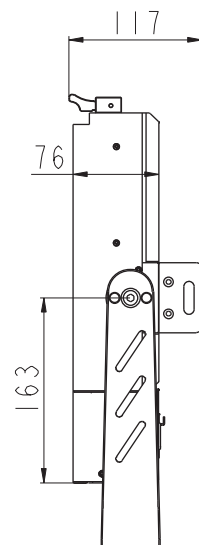
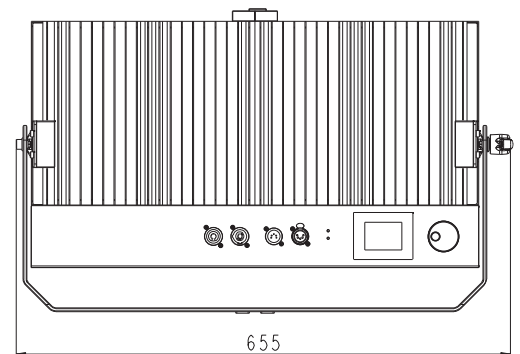
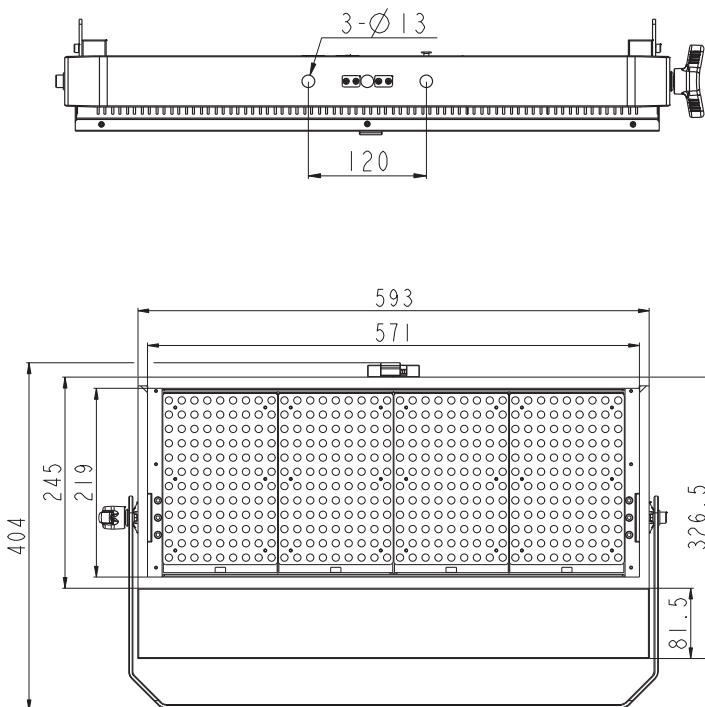
# TECHNICAL SPECIFICATIONS

## 1. 150S Softlight LED Luminaire Operational Specifications

|                      |  |
|----------------------|--|
| Beam Angle:          | 50 Degrees   |
| Light Output:        | 9100 lumens for 3100K<br>10,305 lumens for 5600K   |
| Color Temperature:   | 3100K+/-100K<br>5600K+/-300K                       |
| Input Voltage (AC):  | 100V to 240V (+/- 10%, auto-ranging)               |
| Input Voltage (DC):  | 23V to 36V (+/- 10%, auto-ranging)                 |
| Current (AC):        | 1.6 Amps (100V) / 0.67 Amps (240V)                 |
| Frequency:           | 50/60Hz  |
| Control:             | DMX512 (1990) / DMX512A (RDM) / On-Board Menu      |
| Ambient Temperature: | -20 to 40 Degrees C (-4 to 104 Degrees F)          |
| Humidity:            | 5%-95% Non condensing                              |
| Weight:              | 8.5 kg(18.7 lbs) - Luminaire only (no accessories) |
| Housing:             | Aluminum Extrusion with Powder Coat                |
| IP Rating:           | IP20   |

**Note:** Common model specifications shown. For specific model specifications, features, and accessories, refer to the product specification sheet for more details.

## 2. 150S Softlight LED Luminaire Dimensions



# TECHNICAL SUPPORT

## GLOBAL 24HR TECHNICAL SUPPORT:

Call: +1 214 647 7880

[entertainment.service@signify.com](mailto:entertainment.service@signify.com)

## NORTH AMERICA SUPPORT:

Call: 877-VARI-LITE (877-827-4583)

[entertainment.service@signify.com](mailto:entertainment.service@signify.com)

## EUROPEAN CUSTOMER SERVICE CENTER:

Call: +31 (0) 543 542 531

[entertainment.europe@signify.com](mailto:entertainment.europe@signify.com)

© 2022 Signify Holding. All rights reserved. All trademarks are owned by Signify Holding or their respective owners. The information provided herein is subject to change, without notice. Signify does not give any representation or warranty as to the accuracy or completeness of the information included herein and shall not be liable for any action in reliance thereon. The information presented in this document is not intended as any commercial offer and does not form part of any quotation or contract, unless otherwise agreed by Signify. Data subject to change.