

GG6

6,5" full-range two-way wall mount speaker with 8Ω

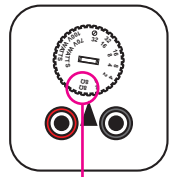


GG6 is a compact and ultra light point source passive speaker that features a 6.5" ferrite woofer for mid and low range and a 1" aluminum dome tweeter for high range reproduction, making it a full range speaker down from 40 Hz to 20kHz (-10 dB).

With a solid but lightweight ABS enclosure and an easy mounting bracket for on-wall installation, weighting only 2.8 kg, this speaker is built to be exposed outdoor in every weather condition, when definition and a good coverage are demanded, with an IP rate of 56.

The rear panel of the speaker has a 70/100V transformer with line selection to match different values of power handling at high impedance driven by one of our series GA amplifiers, respectively at 70V and 100V or low impedance (8Ω). The power taps are 1/2/4/8/16/32 @ 100 or 70 V. This selector makes easy to connect a large number of speakers in parallel driven with high power and efficiency and setting different output levels for every kind of space and use. Low value of impedance can be choose with 8 Ω (160 W). GG6 come in two different colors: black and white.

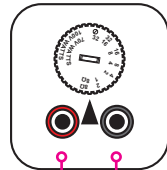
Impedance selection - Wiring



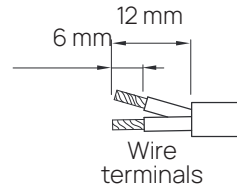
160 W @ 8 Ω
8Ω Low-Z



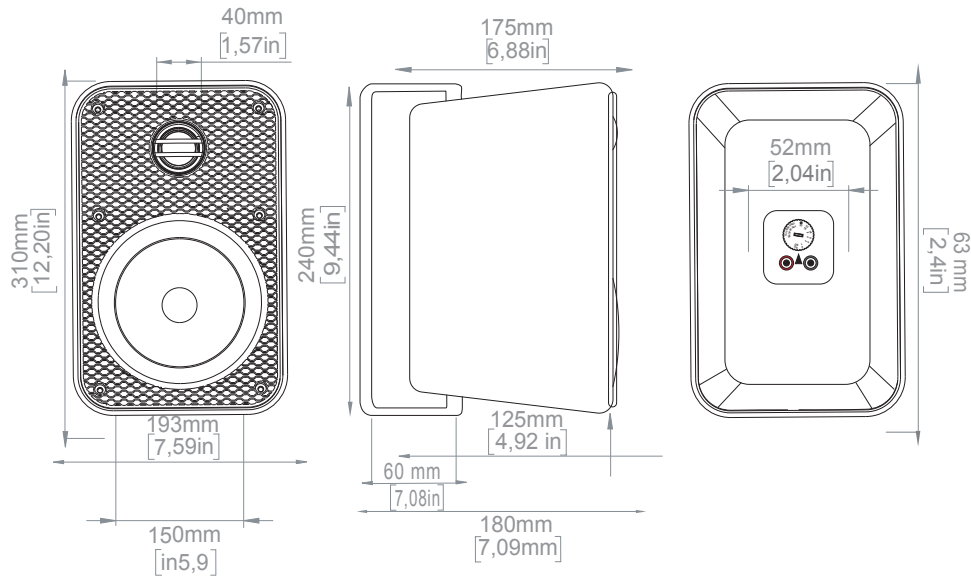
1/2/4/8/16/32 W @ 100 V
70/100V High-Z Power



Speaker terminals



Mechanical Drawings



GG6/GG6W

6.5" Passive Speaker
Low-Z 160W @ 8Ω
Hi-Z 1-2-4-8-16-32W @ 70/100V

Technical specifications

Type	Passive loudspeaker
Transducers	6.5" Ferrite Woofer 1" Aluminum Dome Tweeter
Frequency Response	40 Hz – 20 kHz (-10 dB)
Sensitivity	90 dB (1 W, 1 m)
Max SPL ¹	112 dB (peak)
Coverage	100°
Low-Z Power Handling	160 W @ 8Ω
High-Z Power Handling	1-2-4-8-16-32W @ 70/100V

Handling & Finishes

Dimensions (WxHxD)	193 x 310 x 180 mm (7.6 x 12.2 x 7.0 in)
Weight	2,8 kg (6.17 lb)
IP rating	IP56
Finishes	GG6: Black GG6W: White

¹ Maximum SPL is calculated using a signal with crest factor 4 (12dB) measured at 1 m.